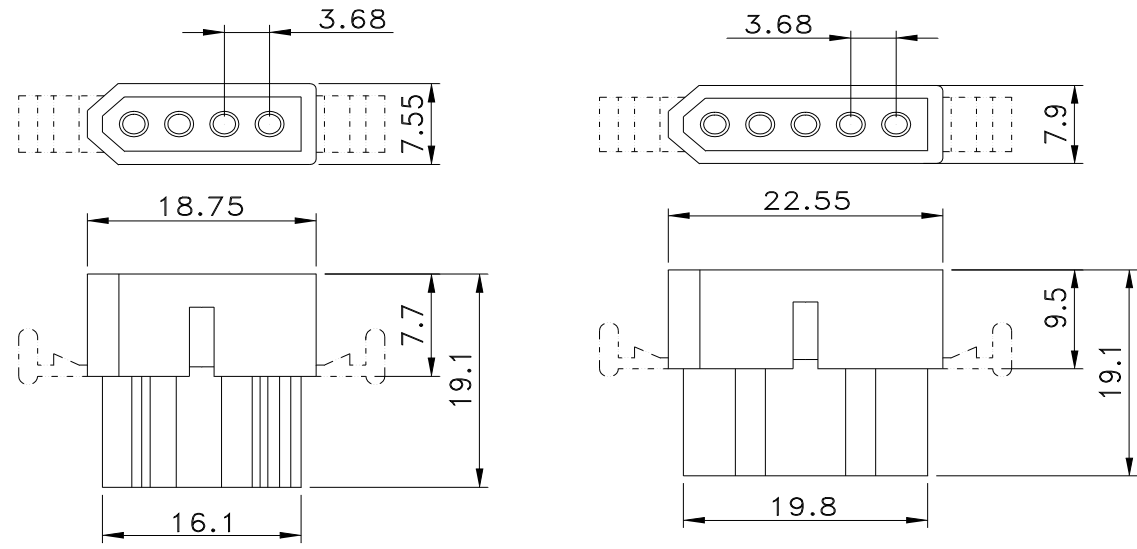
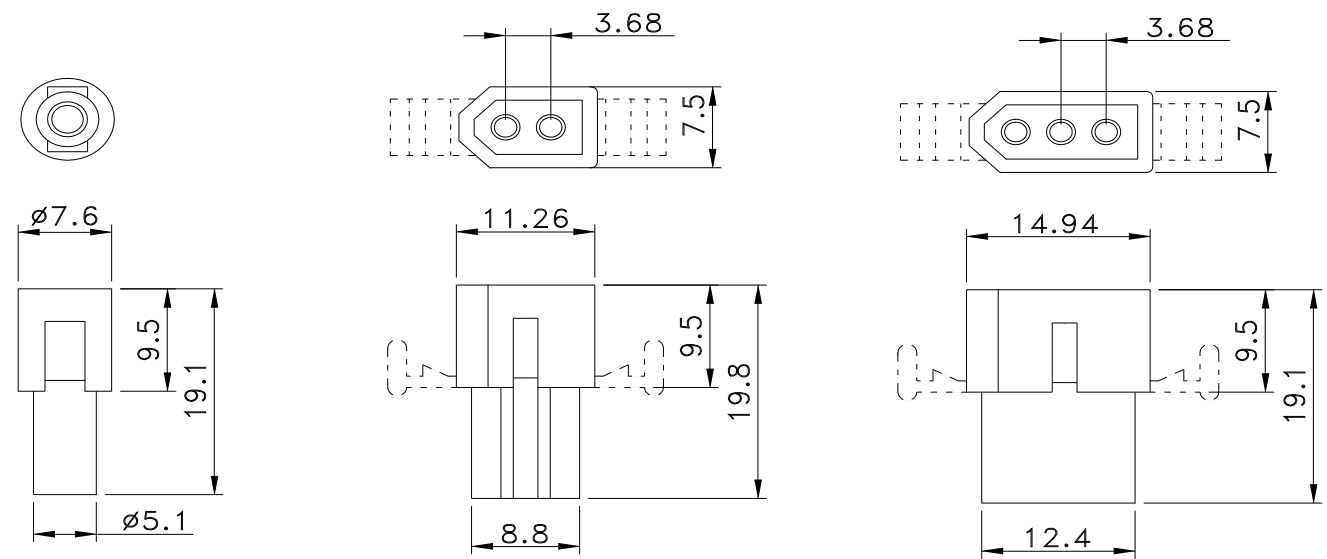


MATERIAL:

Insulator: Nylon 66 UL94V-0
 Contact: Brass
 Finish: Tin Plated

SPECIFICATIONS:

Current rating: 5.0A AC, DC
 Voltage rating: 250V AC, DC
 Contact resistance: 20MΩ max
 Insulation resistance: 1,000MΩ min
 Withstanding voltage: 1,500V AC/minute
 Temperature range: -25°C to +125°C
 Application wires: AWG#26 to #18



PS-Px-1Xxx-LF
 LEADFREE
 BLANK:NON/EAR
 E:W/EAR

RoHS Compliant



PART NO. PS-Px-1Xxx

DWG NO. PS-Px-1Xxx

CHECKED BY CY

TOLERANCES ARE

DESCRIP TION:

FILE NO.

DRAWING BY

.X ± 0.2
 .XX ±
 .XXX ±
 AWG

AREA

煜倫股份有限公司

UNIT / mm

SCALE 1:1

PROJECTION

REVISIONS

HK

DATE