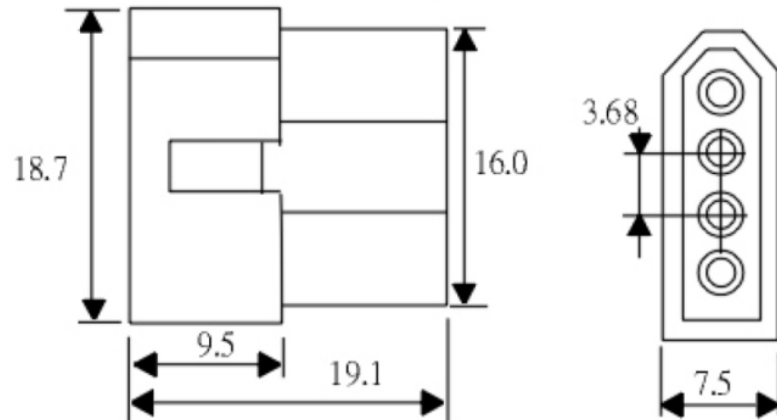
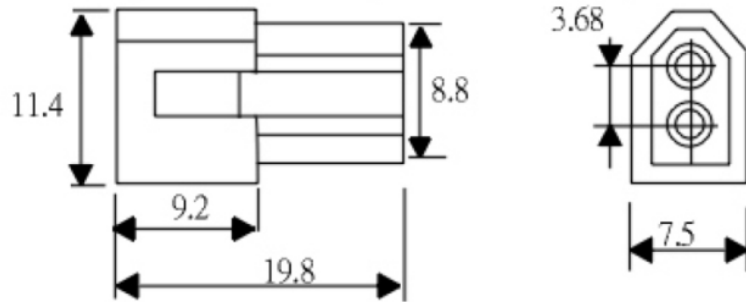


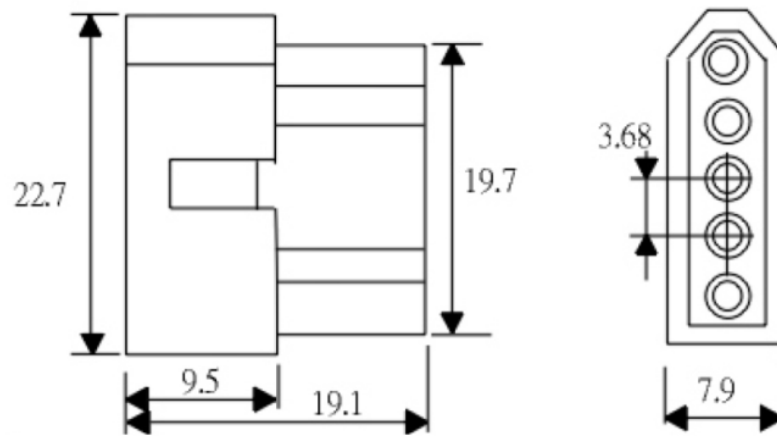
PS-PV0-1X01



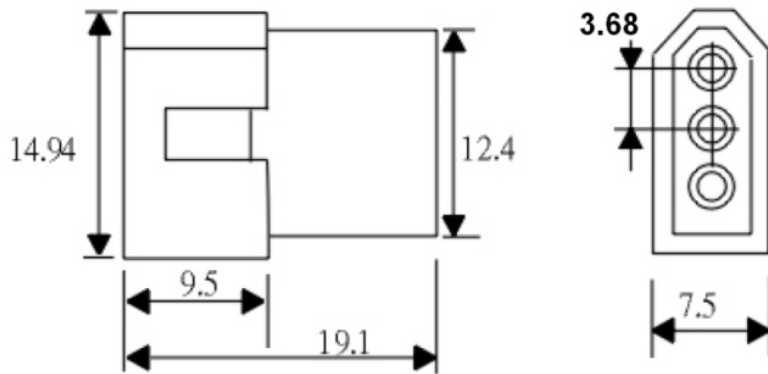
PS-PV0-1X04



PS-PV0-1X02



PS-PV0-1X05



PS-PV0-1X03

Insulator: Nylon 66 UL94V0

temperature range: -25°C ~ +150°C

MORETHANALL
CONNECTORS
ASSEMBLIES

煜倫股份有限公司

PART NO. PS-PV0-1Xxx		CHECKED BY CY		TOLERANCES ARE .X ± 0.2 .XX ± .XXX ± AWG	DESCRIPTION:			
DWG NO. PS-PV0-1Xxx		DRAWING BY						
FILE NO.		PROJECTION		AREA	REVISIONS	HK	DATE	