

Specifications:

Current rating:5.0 AC/DC

Voltage rating:250V AC/DC

Contact resistance:20m ohm. max.

Insulator resistance:1000M ohm. Min.

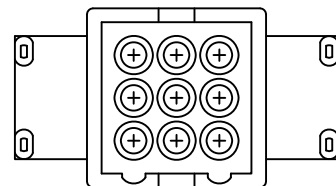
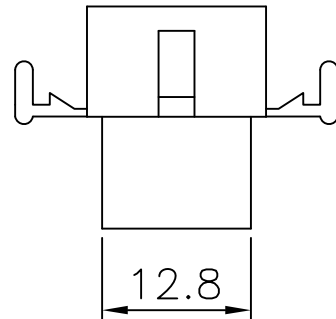
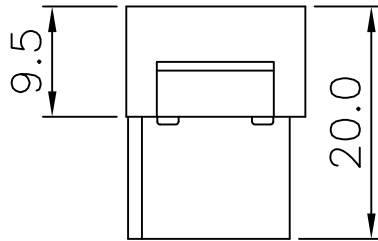
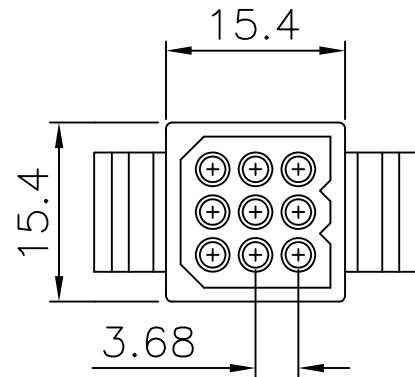
Withstanding voltage:1500V AC for one minute

Operating temperture range:-25°C to + 105°C

Application wire:AWG#26 TO #18

Material and Finish:

Insulator:high Temp. Plastic(UL94V-2)



MORETHANALL
PCB CONNECTORS
Cable ASSEMBLIES

煜倫股份有限公司

www.morethanall.com

RoHS Compliant

DRAWING BY CY

CHECKED BY GENIUS

UNIT / mm

SCALE 1 : 1

DATE

SIZE A4

TOLERANCES ARE

X. ±

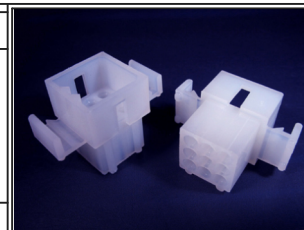
.X ±

.XX ±

.XXX ±

ANG ±

P PROJECTION



ORDER INFORMATION

PS-PE-3X03-LF
SERIES | LEADFREE
| 09 WAY
EAR
MALE HOUSING

DESCRIPTION: