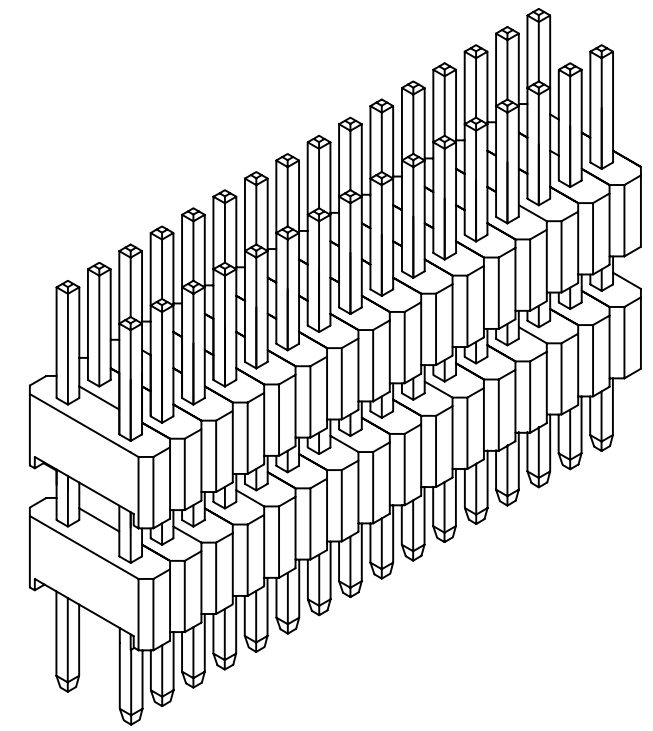
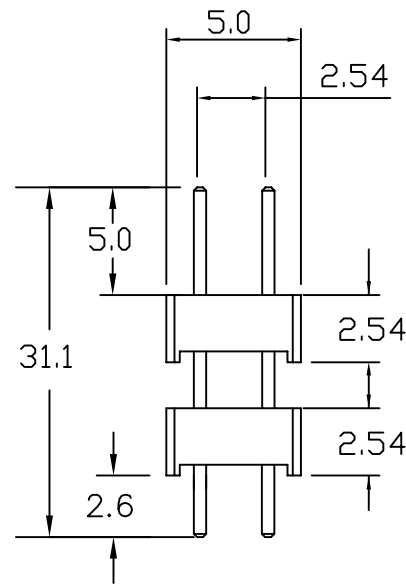
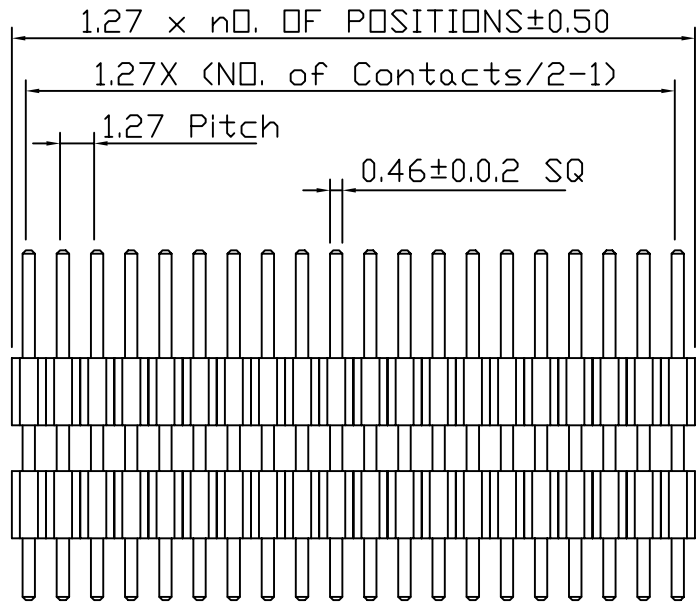


Contract:  
 Contact: Brass.  
 Insulator: Nylon 6T.  
 Finish: Gold flash plated over nickel.



PS-D3115026S15-2Xxx  
 S15: SEMIGOLD 15u"

B			PART NO. PS-D3115026S15-2Xxx		TOLERANCES ARE .X ± .XX ± .XXX ± AWG	DESCRIPTION: 1.27X2.54 PIN HEADER SMT DUAL ROW			
			DWG NO. PS-D3115026S15-2Xxx			CHECKED BY CY	AREA		
A			FILE NO.		DRAWING BY				
			UNIT / mm	SCALE 1:1	PROJECTION				