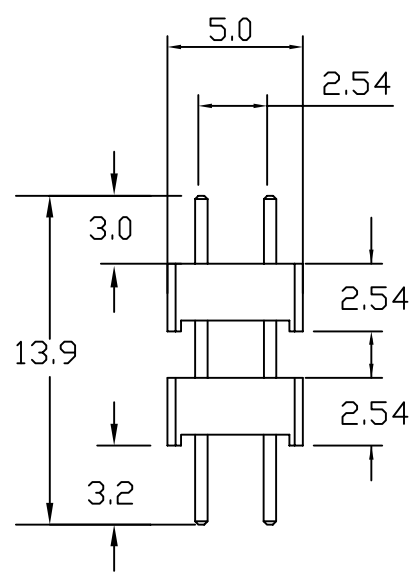
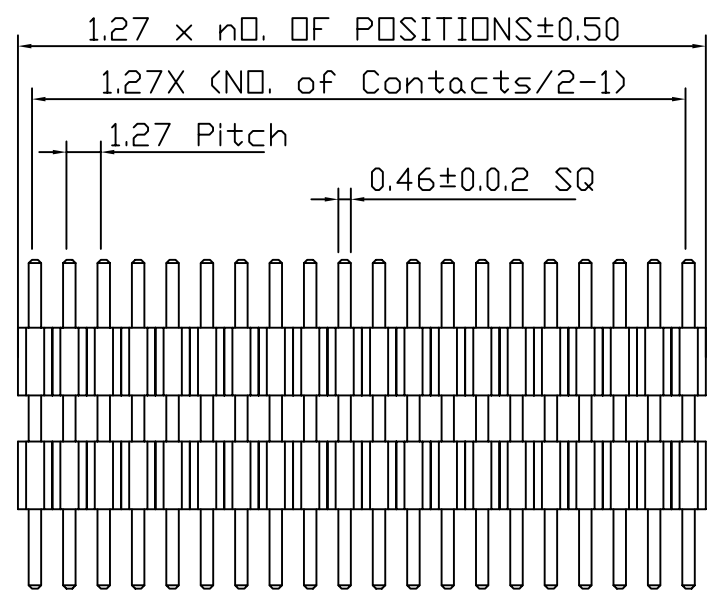
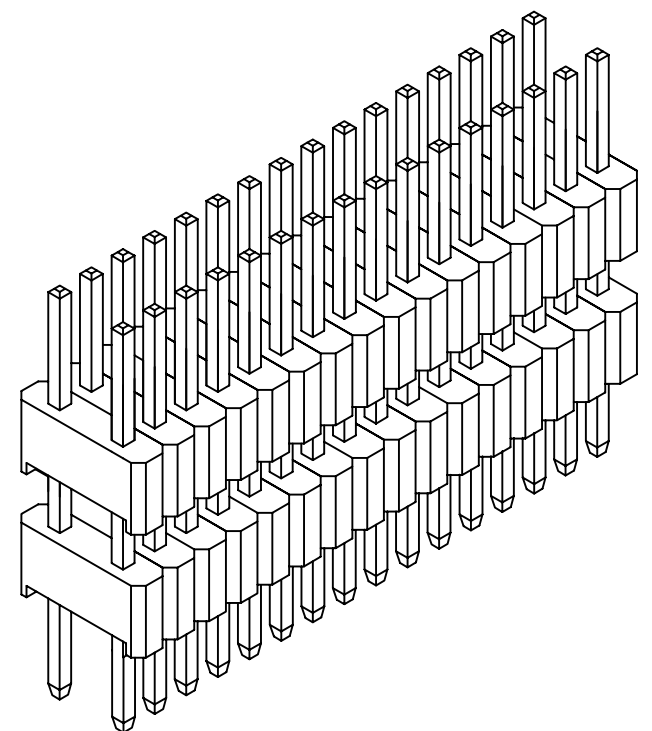


Contract:  
 Contact: Brass.  
 Insulator: Nylon 6T.  
 Finish: Gold flash plated over nickel.



PS-D139303202Xxx-LF  
 LEADFREE

RoHS Compliant



PART NO.	PS-D1393032-2Xxx		CHECKED BY	CY		TOLERANCES ARE .X ± .XX ± .XXX ± AWG	DESCRIPTION:	1.27X2.54 PIN HEADER SMT DUAL ROW			
	DWG NO.	PS-D1393032-2Xxx		DRAWING BY				AREA	REVISIONS	HK	DATE
FILE NO.			PROJECTION								
UNIT / mm	SCALE	1:1									

焯倫股份有限公司