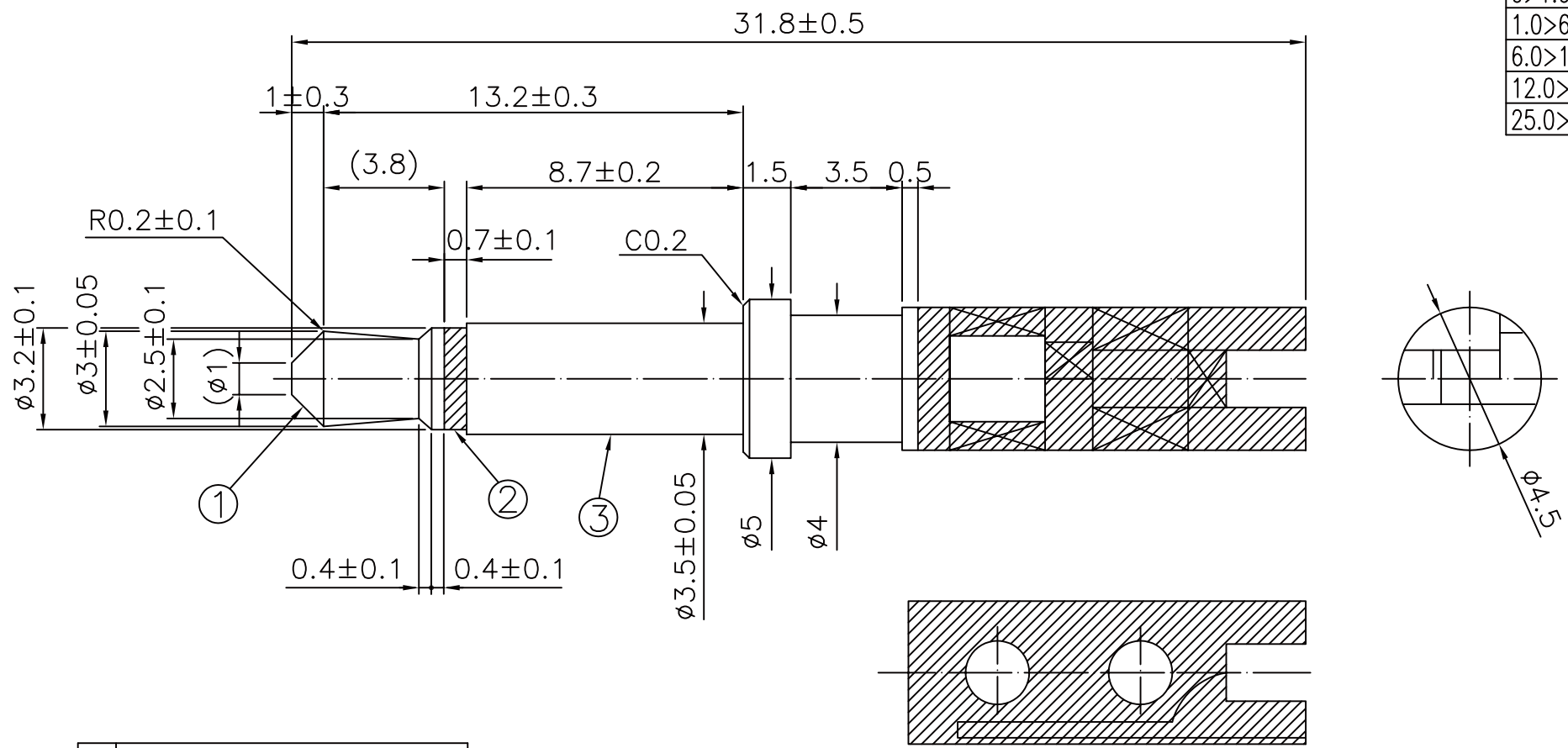


一般公差	
尺寸區分	公差
0>1.0	±0.1
1.0>6.0	±0.2
6.0>12.0	±0.3
12.0>25.0	±0.4
25.0>	±0.5



3	BRASS NICKEL
2	POM BLACK
1	BRASS NICKEL
NO	CONTENT

RoHS Compliant

TOLERANCES ARE

MORETHANALL
PCB CONNECTORS
Cable ASSEMBLIES

DRAWING BY CY
CHECKED BY GENIUS
UNIT / mm SCALE 1:1
DATE

X.±
.X±
.XX±
.XXX±
ANG ±

照片框

ORDER INFORMATION

PP-S318-02-LF
SERIES | LEADFREE
| 02WAY
| LONG 31.8mm
SOLDER

煜倫股份有限公司

www.morethanall.com

SIZE A4

PJECTION

DESCRIPTION: 3.5mm MONO PLUG*31.8L