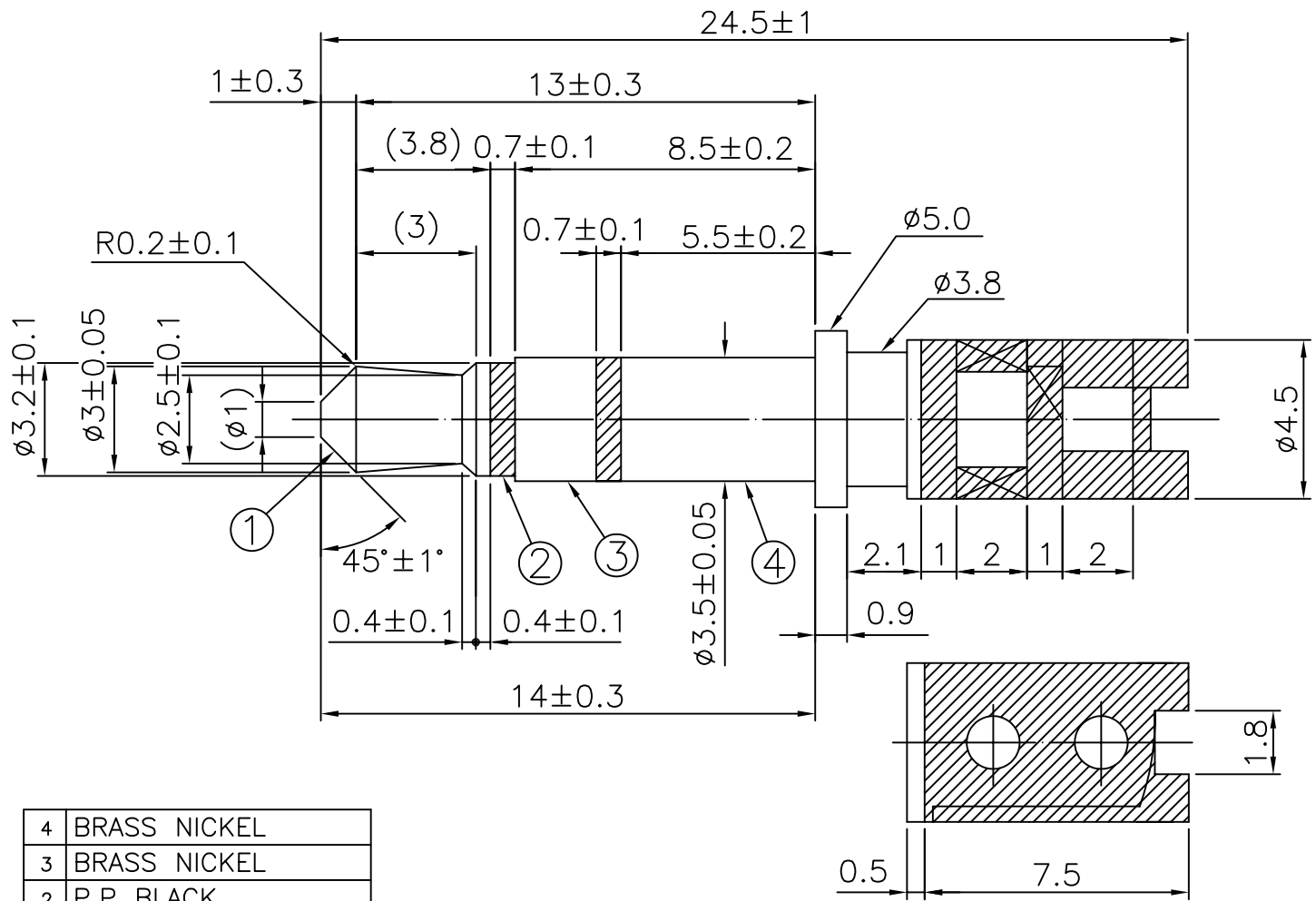


| 一般公差 | |
|-----------|------|
| 尺寸區分 | 公差 |
| 0>1.0 | ±0.1 |
| 1.0>6.0 | ±0.2 |
| 6.0>12.0 | ±0.3 |
| 12.0>25.0 | ±0.4 |
| 25.0> | ±0.5 |



| | |
|----|--------------|
| 4 | BRASS NICKEL |
| 3 | BRASS NICKEL |
| 2 | P.P BLACK |
| 1 | BRASS NICKEL |
| NO | CONTENT |

RoHS Compliant

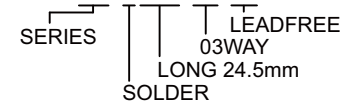
TOLERANCES ARE

- X.±
- .X±
- .XX±
- .XXX±
- ANG±

照片框

ORDER INFORMATION

PP-S245-03-LF



DESCRIPTION: 3.5mm STEREO PLUG*24.5L



煜倫股份有限公司

www.morethanall.com

DRAWING BY CY

CHECKED BY GENIUS

UNIT / mm SCALE 1:1

DATE

SIZE A4

PJECTION