

NOTES:

1. MATERIAL:

- HOUSING: THERMOPLASTIC, W/15% G/F, UL94 V-0, BLACK COLOR
- BOTTOM COVER: THERMOPLASTIC, W/30% G/F UL94 V-0, BLACK COLOR
- RETAINER: THERMOPLASTIC, W/15% G/F, UL94 V-0, BLACK COLOR
- SHUTTER: THERMOPLASTIC, W/15% G/F, UL94 V-0, BLACK COLOR
- CONTACTS: PHOSPHOR BRONZE
- FRONT SHIELD: BRASS
- BACK SHIELD: BRASS
- COIL SPRING: STAINLESS STEEL
- GROUNDING TAB: STAINLESS STEEL
- DRIVE IC (TRANSMITTER)/TX
- DRIVE IC LEAD FRAME: PHOSPHOR BRONZE

2. FINISH:

- CONTACT:
 - GOLD FLASH PLATING ON CONTACT AREA.
 - 100 μ " MIN. BRIGHT TIN PLATING ON SOLDER TAIL AREA,
 - 50 μ " MIN. NICKEL UNDERPLATING OVERALL.
- BACK SHIELD:
 - 100 μ " MIN. NICKEL PLATING ON ENTIRE
 - 50 μ " MIN. Cu UNDERPLATING OVERALL
- FRONT SHIELD:
 - 100 μ " MIN. TIN PLATING ON ENTIRE
 - 50 μ " MIN. NICKEL UNDERPLATING OVERALL
- LEADFRAME:
 - 100 μ " MIN. TIN PLATING ON ENTIRE
 - 50 μ " MIN. NICKEL UNDERPLATING OVERALL

3. RECOMMENDED PCB THICKNESS: 1.6mm

4. TORQUE (3 KGF-CM) MAX

TRANSMITTER	
V _{in}	①
V _{cc}	②
GND	③

RoHS Compliant

TOLERANCES ARE

MORETHANALL
PCB CONNECTORS
Cable ASSEMBLIES

DRAWING BY CY

X, ±

CHECKED BY GENIUS

.X ±

UNIT / mm

SCALE 1 : 1

.XX ±

DATE

.XXX ±

ANG ±

SIZE A4

P PROJECTION



ORDER INFORMATION

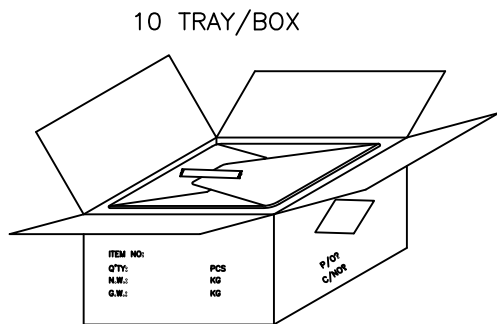
POFMD-FTHS-0304-LF

SERIES | | | LEADFREE
03 | | | 03 TO 04 WAY
SPRING
TOP HOLE
FEMALE

煜倫股份有限公司

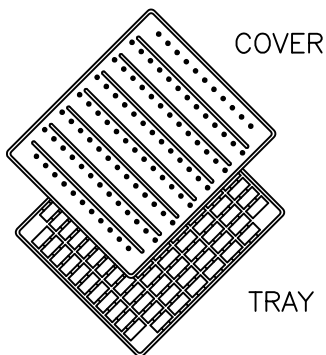
www.morethanall.com

DESCRIPTION: MINI DIN 4 POS. WITH SPDIF CONNECTOR



10 TRAY/BOX

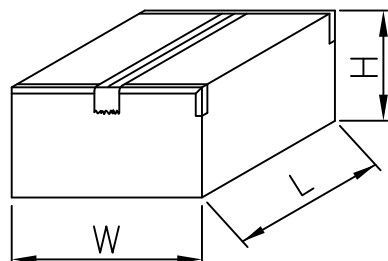
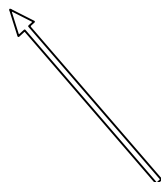
SHOPPING CARTON



COVER

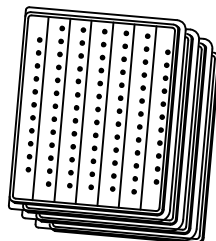
TRAY

100PCS/TRAY



10 TRAY/BOX

SHOPPING CARTON



10 TRAY

NOTES:

1. PACKAGE DIMENSION :
 - a. TRAY:(L)353*(W)275*(H)24
 - b. SHOPPING CARTON:(L)370*(W)290*(H)265
2. PACKAGE MATERIAL:
 - a. TRAY:PS
 - b. COVER:PS
3. PACKAGE DETAIL:
 - a. 100 PCS/TRAY
 - b. 10 TRAYS/SHOPPING CARTON(1,000 PCS)
4. WEIGHT DETAIL:
 - a. NET Wt=10.2kg
 - b. GROSS Wt=11.7kg

RoHS Compliant

TOLERANCES ARE

MORETHANALL
PCB CONNECTORS
Cable ASSEMBLIES

DRAWING BY CY

CHECKED BY GENIUS

UNIT / mm

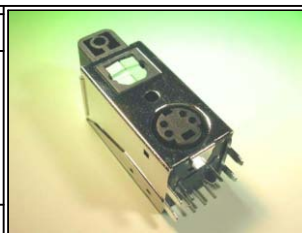
SCALE 1 : 1

DATE

SIZE A4

X. ±
.X ±
.XX ±
.XXX ±
ANG ±

PJECTION



ORDER INFORMATION

POFMD-FTHS-0304-LF

SERIES	LEADFREE
	03 TO 04 WAY
	SPRING
	TOP HOLE
	FEMALE

煜倫股份有限公司

www.morethanall.com

DESCRIPTION: MINI DIN 4 POS. WITH SPDIF CONNECTOR