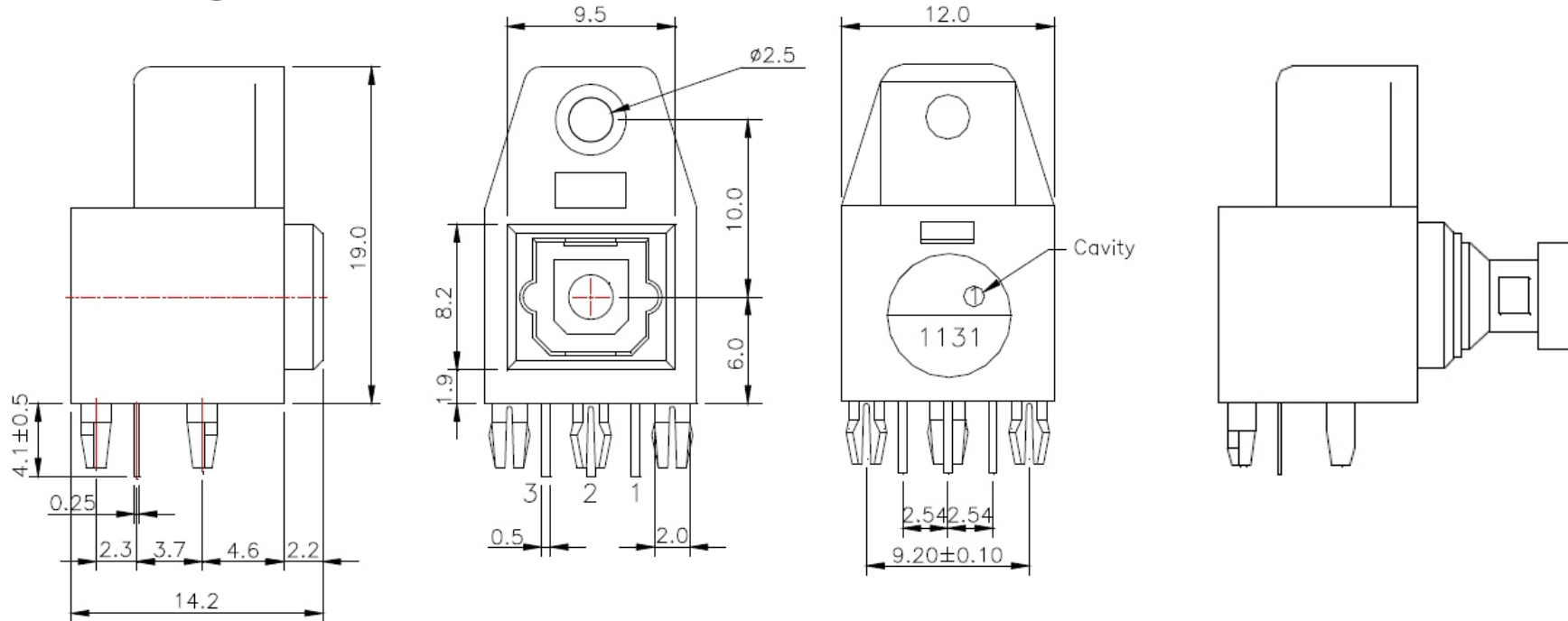


Package Dimensions



Notes: 1.All dimensions are in millimeters.
2.General Tolerance:±0.2mm

Pin Function

- 1. GND
- 2. Vcc
- 3. Vin

POF-T3PN-03-LF
LEADFREE

RoHS Compliant

Absolute Maximum Ratings(Ta = 25°C)

Parameter	Symbol	Rating	Unit
Supply Voltage	Vcc	-0.5 to 7	V
DC Input Voltage	Vin	-0.5 to Vcc+0.5	V
Power Dissipation	P	120	mW
Storage Temperature	Tstg	-30 to 80	°C
Operating Temperature	Topr	-20 to 70	°C
Soldering Temperature	Tsol	260*	°C

*Soldering time ≤ 5s / 2 times.



PART NO. POF-T3PN-03

DWG NO. POF-T3PN-03

FILE NO.

UNIT / mm

SCALE 1:1

CHECKED BY CY

DRAWING BY

PROJECTION

TOLERANCES ARE

.X ± 0.2
.XX ± 0.1
.XXX ±
AWG

DESCRIPTION:

AREA

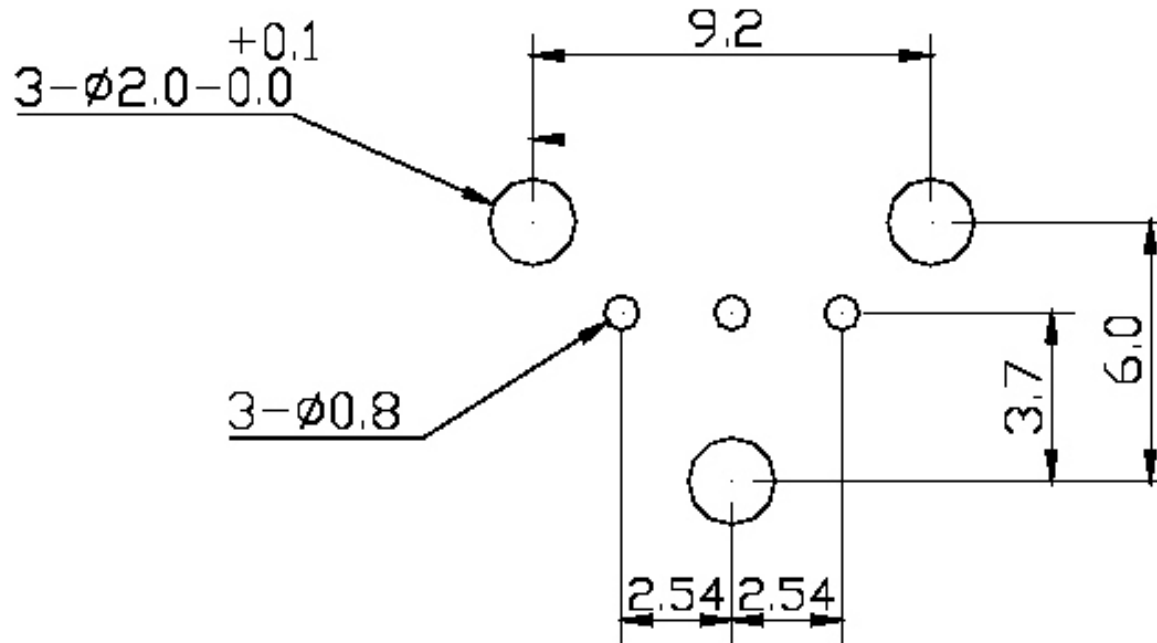
REVISIONS

HK

DATE

煜倫股份有限公司

PCB Layout For Electrical Circuit



M MORETHANALL
CONNECTORS
ASSEMBLIES

PART NO. POF-T3PN-03

DWG NO. POF-T3PN-03

CHECKED BY CY

TOLERANCES ARE

DESCRIPTION:

FILE NO.

DRAWING BY

.X ± 0.2

.XX ± 0.1

.XXX ±

AWG

AREA

REVISIONS

HK

DATE

煜倫股份有限公司

UNIT / mm

SCALE 1:1

PROJECTION

