

■ Feature

- * TTL interface compatible
- * High transfer rate: 13.2Mbps (NRZ Signal)
- * Build-in constant current LED driver
- * Built-in pull-down resistor
- * Low power consumption

■ Applications

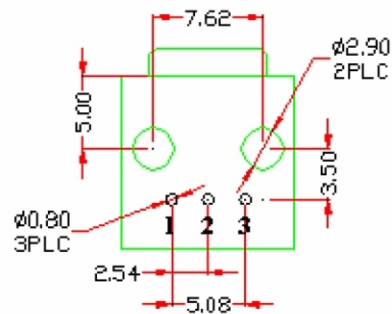
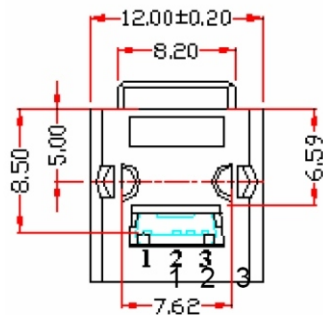
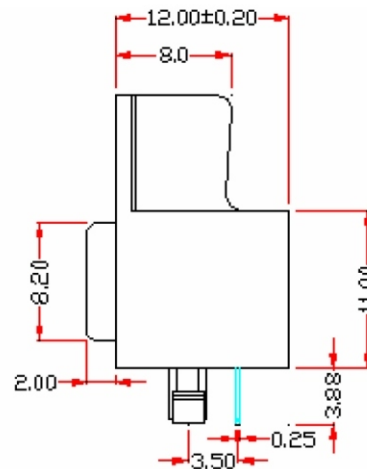
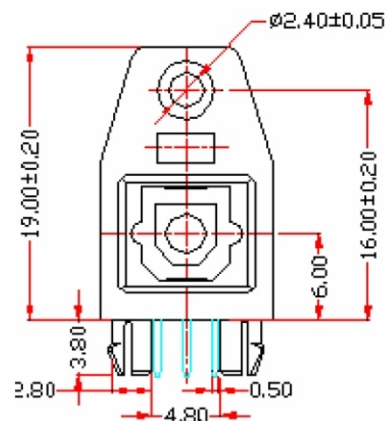
- * DVD, CD, MD player
- * Sound card
- * Audio Equipment
- * PC, notebook

POF-T2PN-03-LF

LEADFREE

RoHS Compliant

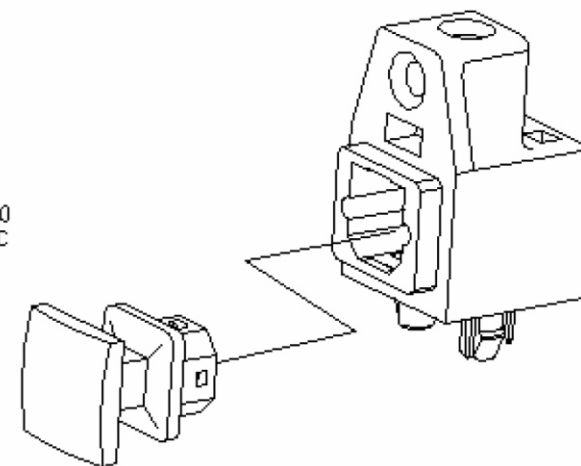
■ Package Dimension



Recommended PCB Layout
<BOTTOM VIEW>

■ Pin Assign

Pin	Name
1	VIN
2	VCC
3	GND



PART NO. POF-T2PN-03

DWG NO. POF-T2PN-03

FILE NO.

UNIT / mm

SCALE 1:1

CHECKED BY CY

DRAWING BY

PROJECTION

TOLERANCES ARE

.X ± 0.2
.XX ± 0.1
.XXX ±
AWG

DESCRIP TION:

AREA

REVISIONS

HK

DATE

煜倫股份有限公司