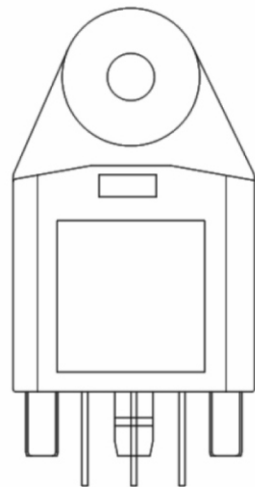
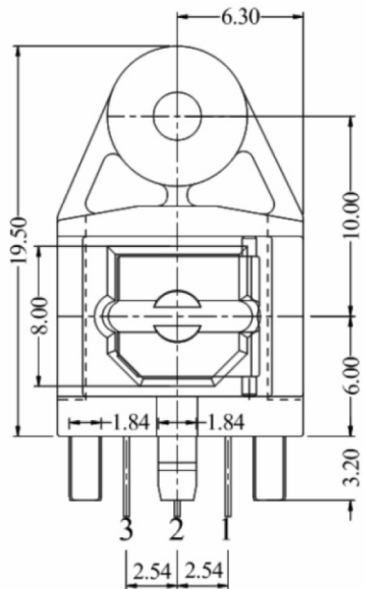
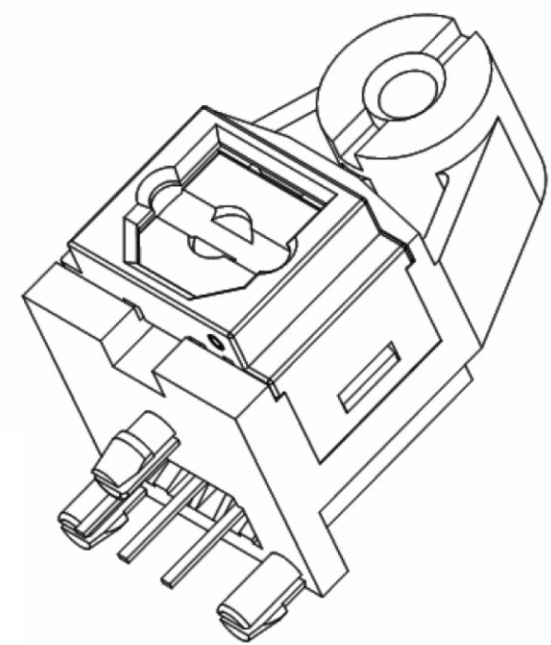
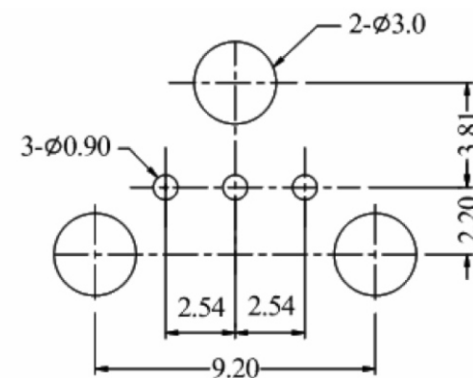
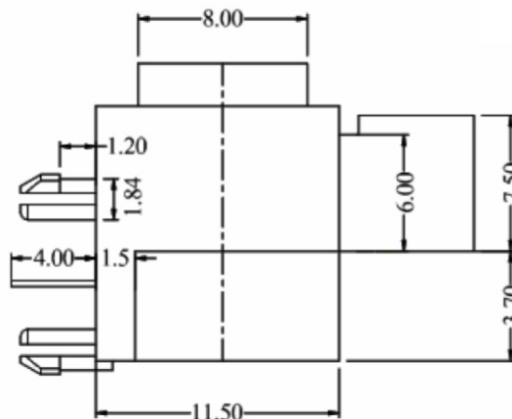
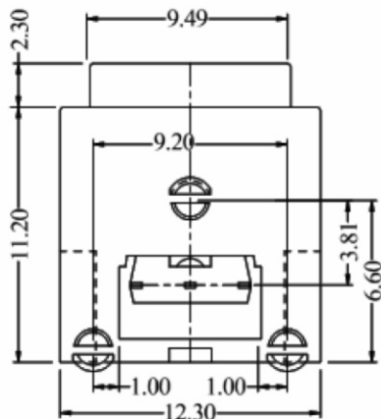


POF-R3SN-03-LF
LEADFREE

RoHS Compliant



Pin	Name
1	Vout
2	GND
3	Vcc



PART NO. POF-R3SN-03

DWG NO. POF-R3SN-03

FILE NO.

UNIT / mm

CHECKED BY CY

DRAWING BY

SCALE 1:1

PROJECTION

TOLERANCES ARE
.X ± 0.2
.XX ± 0.1
.XXX ±
AWG

DESCRIP TION:			
AREA	REVISIONS	HK	DATE

煜倫股份有限公司