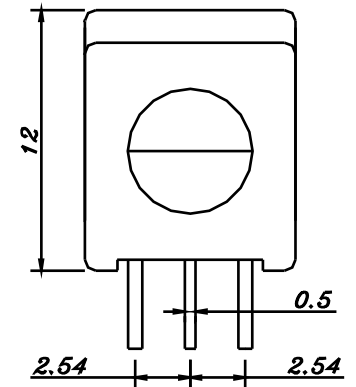
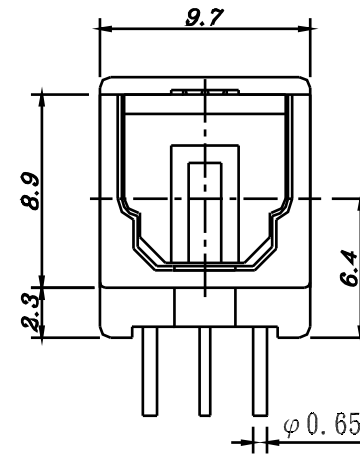
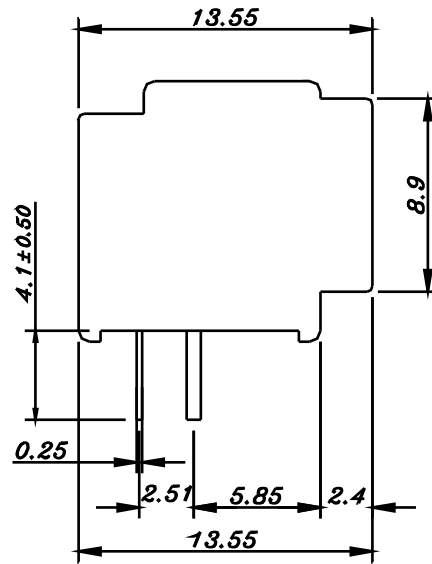


**Notes:** 1.All dimensions are in millimeters.  
2.General Tolerance:±0.2mm

**Pin Function**

- 1. Vout
- 2. GND
- 3. Vcc



**Absolute Maximum Ratings( Ta = 25°C)**

Parameter	Symbol	Rating	Unit
Supply Voltage	Vcc	6	V
Storage Temperature	Tstg	-30 to 80	°C
Operating Temperature	Topr	-20 to 70	°C
Soldering Temperature	Tsol	260*	°C



POF-R0S-03-LF  
LEADFREE  
RoHS Compliant



PART NO. POF-R0S-03

DWG NO. POF-R0S-03

FILE NO.

CHECKED BY CY

DRAWING BY

TOLERANCES ARE

.X ± 0.2  
.XX ±  
.XXX ±  
AWG

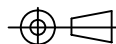
DESCRIPTION:

煜倫股份有限公司

UNIT / mm

SCALE 1:1

PROJECTION



AREA

REVISIONS

HK

DATE

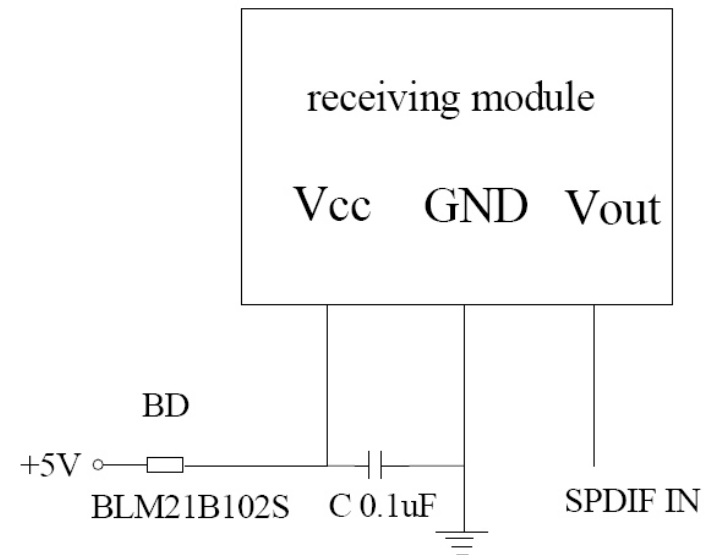
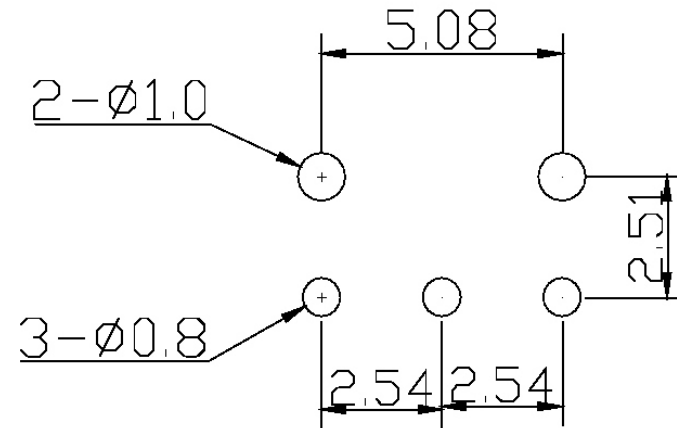
## PCB Layout For Electrical Circuit

### Notes:

1. Unit: mm
2. Unspecified tolerance:  $\pm 0.3\text{mm}$
3. Substrate Thickness: 1.6 mm

### Precautions for Using Method

1. Connect a by-pass capacitor (0.1uF) close to the DLR1150 within 7 mm of the unit lead frame.
2. Take proper electrostatic-discharge (ESD) precautions while handling these devices. These devices are sensitive to ESD.



**MORETHANALL**  
CONNECTORS  
ASSEMBLIES

PART NO. POF-R0S-03

DWG NO. POF-R0S-03

FILE NO.

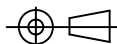
UNIT / mm

SCALE 1:1

CHECKED BY CY

DRAWING BY

PROJECTION



TOLERANCES ARE

.X  $\pm 0.2$

.XX  $\pm$

.XXX  $\pm$

AWG

DESCRIPTION:

AREA

REVISIONS

HK

DATE

煜倫股份有限公司