

table:

Part NO.	Description
TL1-x	Ferrule處有內倒角
C2202041	Ferrule處無內倒角



NO	PART NAME	Material	QTY/Set
1	Dust Cap	PVC(Transparency)	1
2	Single Housing	PBT+G.F.15%	1
3	Boot	PVC	1
4	PIN	Brass	1

POF-PA-BK-LF
LEADFREE

RoHS Compliant



PART NO. POF-PA-BK

DWG NO. POF-PA-BK

FILE NO.

UNIT / mm

SCALE 1:1

CHECKED BY CY

DRAWING BY

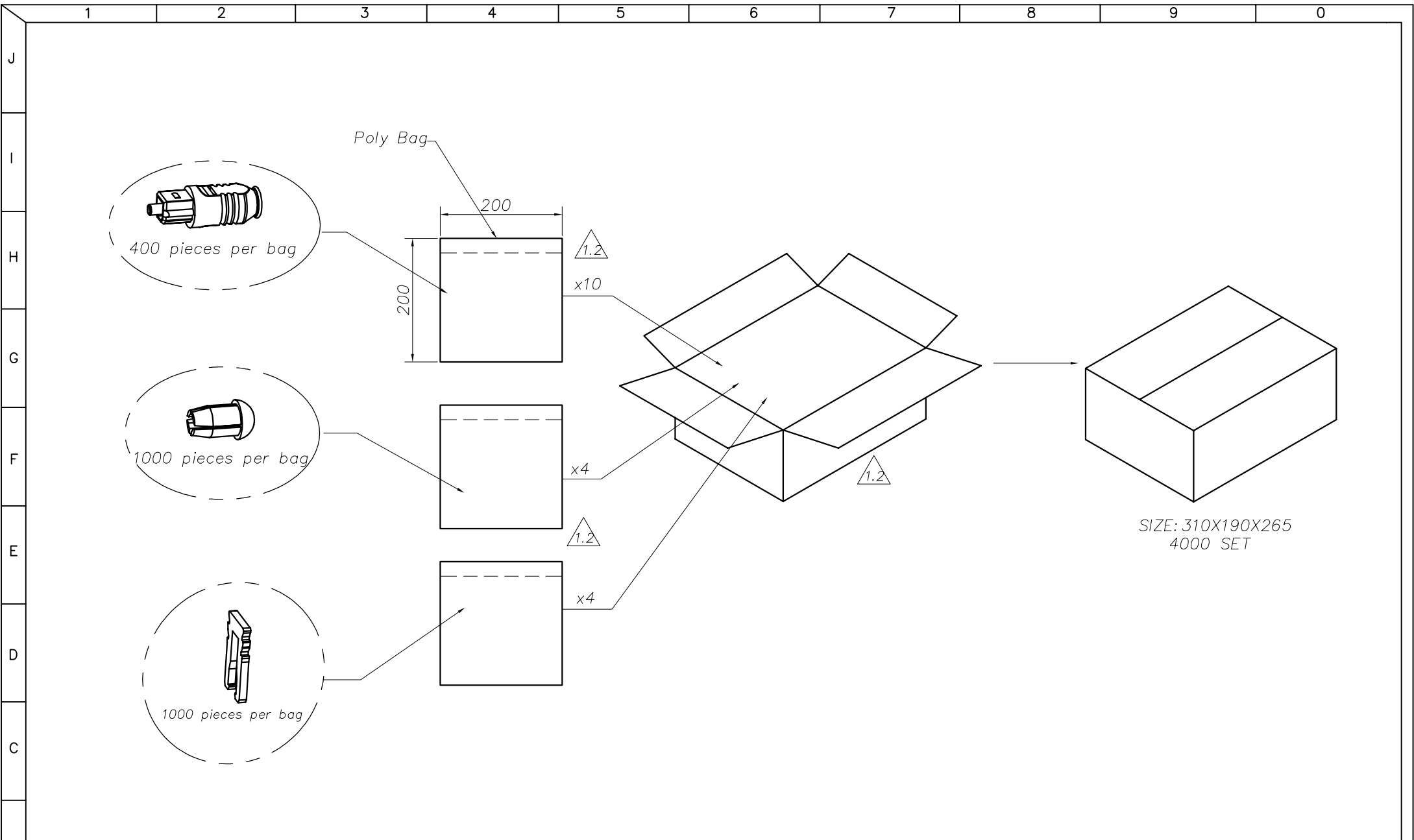
PROJECTION

TOLERANCES ARE

.X ± 0.2
.XX ± 0.1
.XXX ±
AWG

DESCRIP TION:	Plastic Optical Fiber Connector Toslink Connector(Single Housing)			
	AREA	REVISIONS	HK	DATE

煜倫股份有限公司



MORETHANALL
CONNECTORS
ASSEMBLIES

PART NO. POF-PA-BK

DWG NO. POF-PA-BK

CHECKED BY CY

TOLERANCES ARE

DESCRIP TION:

煜倫股份有限公司

FILE NO.

DRAWING BY

.X ± 0.2
.XX ± 0.1
.XXX ±
AWG

UNIT / mm

SCALE 1:1

PROJECTION

AREA

REVISIONS

HK

DATE