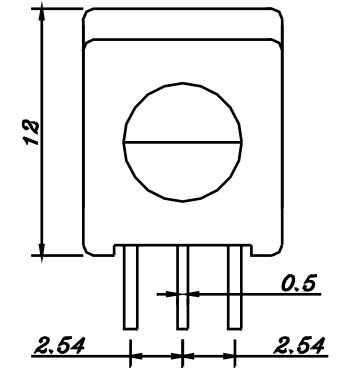
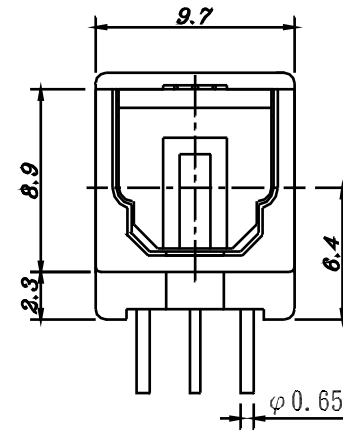
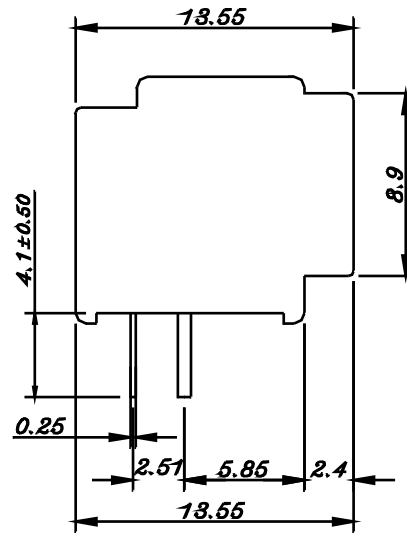


Notes: 1.All dimensions are in millimeters.
2.General Tolerance:±0.2mm

Pin Function

- 1. GND
- 2. Vcc
- 3. Vin



Absolute Maximum Ratings(Ta = 25°C)

Parameter	Symbol	Rating	Unit
Supply Voltage	Vcc	-0.5 to 7	V
DC Input Voltage	Vin	-0.5 to Vcc+0.5	V
Power Dissipation	P	120	mW
Storage Temperature	Tstg	-30 to 80	°C
Operating Temperature	Topr	-20 to 70	°C
Soldering Temperature	Tsol	260*	°C



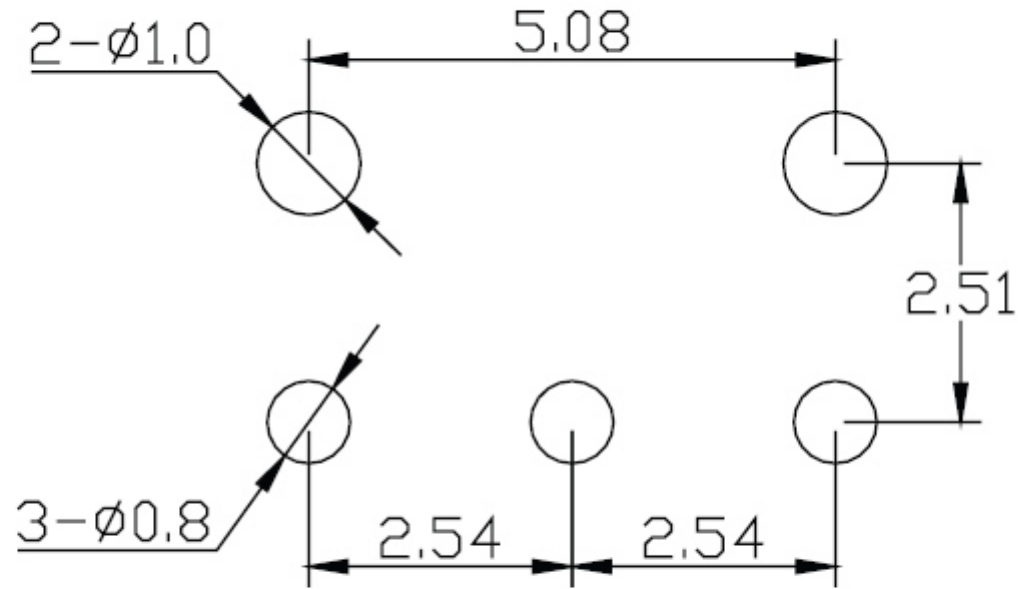
POF-JRXS-03-LF
LEADFREE
RoHS Compliant



PART NO. POF-JRXS-03 DWG NO. POF-JRXS-03 FILE NO.	CHECKED BY CY DRAWING BY	TOLERANCES ARE .X ± 0.2 .XX ± .XXX ± AWG	DESCRIPTION:			
			AREA	REVISIONS	HK	DATE
UNIT / mm SCALE 1:1 PROJECTION						

煜倫股份有限公司

PCB Layout For Electrical Circuit



Notes:

- 1. Unit: mm
- 2 Unspecified tolerance: ± 0.3 mm
- 3. Substrate Thickness: 1.6 mm



PART NO. POF-JRXS-03	CHECKED BY CY	TOLERANCES ARE .X \pm 0.2 .XX \pm .XXX \pm ANG	DESCRIPTION:			
			AREA	REVISIONS	HK	DATE
DWG NO. POF-JRXS-03	DRAWING BY					
FILE NO.	PROJECTION					
UNIT / mm	SCALE 1:1					

煜倫股份有限公司

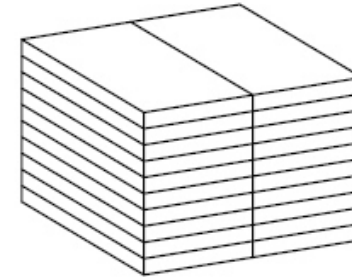
Package Information

Table 5. material Description

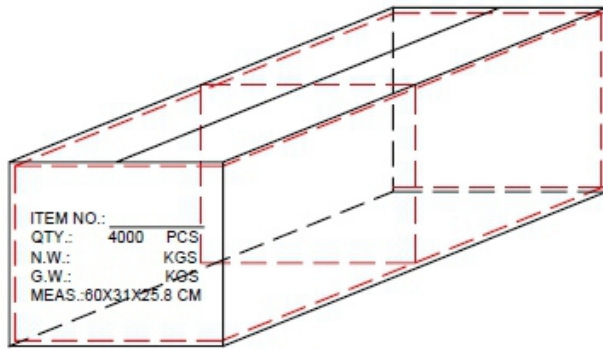
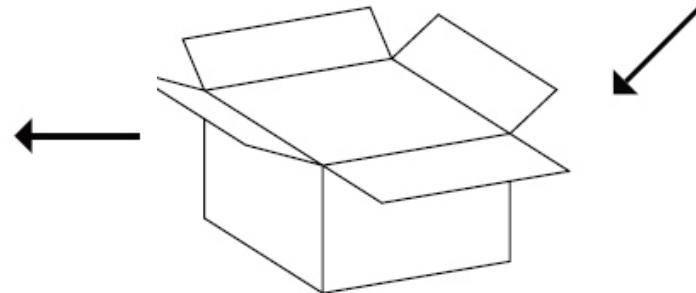
Item	Quantity	Total	Size (long * width * high)
Tray	100 pcs/bag	100 pcs	13.5 * 27 * 2 cm
Inner box	20 trays/ box	2000 pcs	29.2 * 29.2 * 18.5 cm
Outer box	2 inner boxes/outer box	4000 pcs	60 * 31 * 21.8 cm



100 pcs / tray



trays



4000pcs/outer box

ITEM NO.:
QTY.: 4000 PCS
N.W.: KGS
G.W.: KGS
MEAS.: 60X31X25.8 CM

MORETHANALL
CONNECTORS
ASSEMBLIES

PART NO. POF-JRXS-03

DWG NO. POF-JRXS-03

FILE NO.

UNIT / mm

SCALE 1:1

CHECKED BY CY

DRAWING BY

PROJECTION

TOLERANCES ARE

.X ± 0.2
.XX ±
.XXX ±
ANG

DESCRIPTION:

AREA

REVISIONS

HK

DATE

焯倫股份有限公司