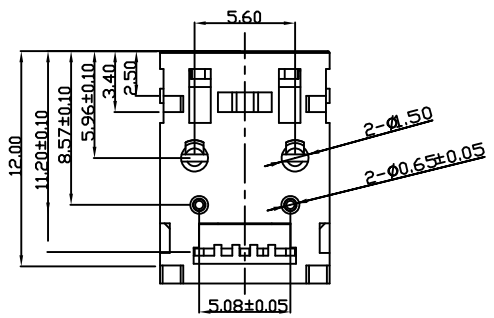
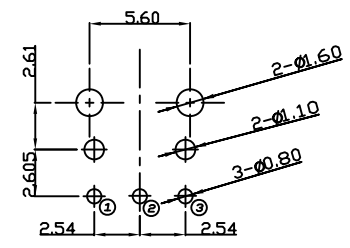
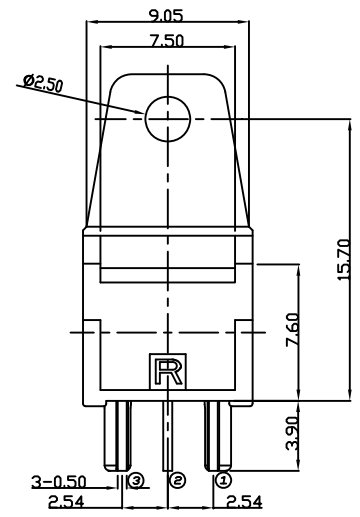
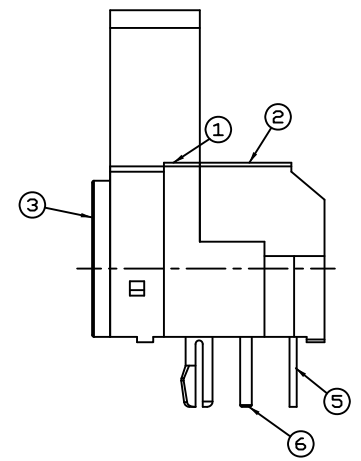
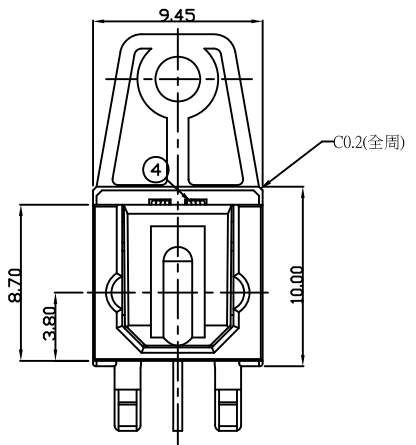
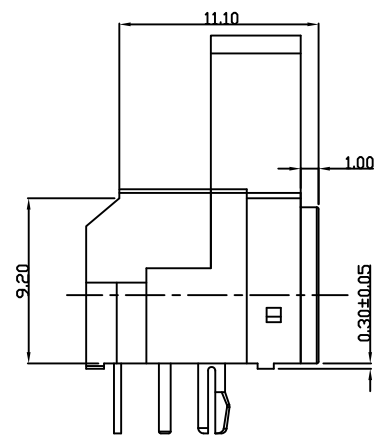


Receiver	
①	Vcc
②	GND
③	Vout



**BOTTOM VIEW**  
P.C.B TOLERANCE ±0.10  
Recommended PCB thickness:1.6 mm

POF-JRPSH-R03-LF  
LEADFREE  
RoHS Compliant

6	MO.I PIN	2		Sn	
5	Receiver	1			
4	Spring	1	SWPA		BLACK
3	Shutter	1	NYLON PA-66		BLACK
2	Case	1	NYLON PA-66		BLACK
1	Body	1	NYLON PA-66		BLACK
NO	PART NAME	O' TY	MATERIAL	PLATED	REMARK

**MORETHANALL**  
CONNECTORS  
ASSEMBLIES

PART NO. POF-JRPSH-R03

DWG NO. POF-JRPSH-R03

FILE NO.

CHECKED BY CY

DRAWING BY

TOLERANCES ARE  
X ± 0.5  
.X ± 0.3  
.XX ± 0.15  
.XXX ±  
ANG

DESCRIPTION: **OPTICAL CONNECTOR**

**焯倫股份有限公司**

UNIT / mm SCALE 1:1

PROJECTION

AREA	REVISIONS	DATE