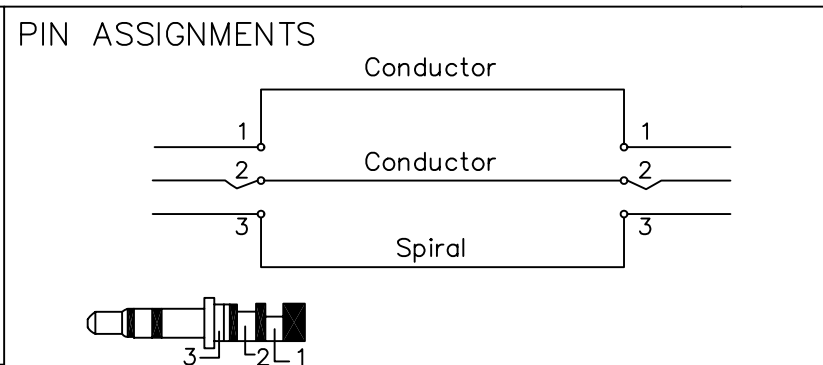
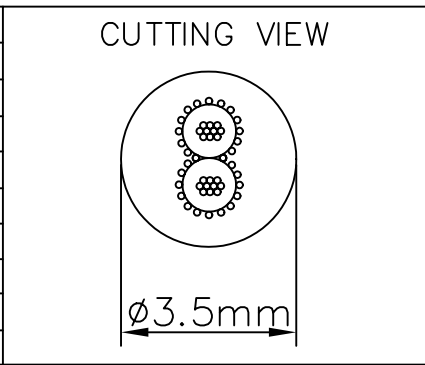


Description		Specification
Conductor	Material	Bare Copper
	Construction	10/0.12mm
Insulation	Material	Red,white PVC
	ID	1.1±0.1mm
Spiral	Material	Bare Copper
	Construction	28/0.12mm
	Material	PVC
Jacket	Color	White
	OD	3.5±0.1mm



3	MOLD	WHITE PVC	7.0G
2	CONNECTOR	Ø3.5 STEREO PLUG NICKEL PLATED	2PCS
1	CABLE	10/0.12BC*2C+2B/0.12BC OD=3.5mm COLOR: WHITE	1PC
NO		DESCRIPTION	QTY

MORETHANALL
CONNECTORS
ASSEMBLIES

焯倫有限公司

PART NO.	PNX2-0303RA-M7C	CHECKED BY	CY	TOLERANCES ARE .X ± 0.2 .XX ± .XXX ± AWG	DESCRIP TION:	AREA	REVISIONS	HK	DATE
DWG NO.	PNX2-0303RA-M7C								
FILE NO.		DRAWING BY							
UNIT / mm	SCALE 1:1	PROJECTION							