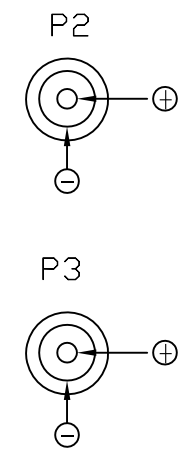
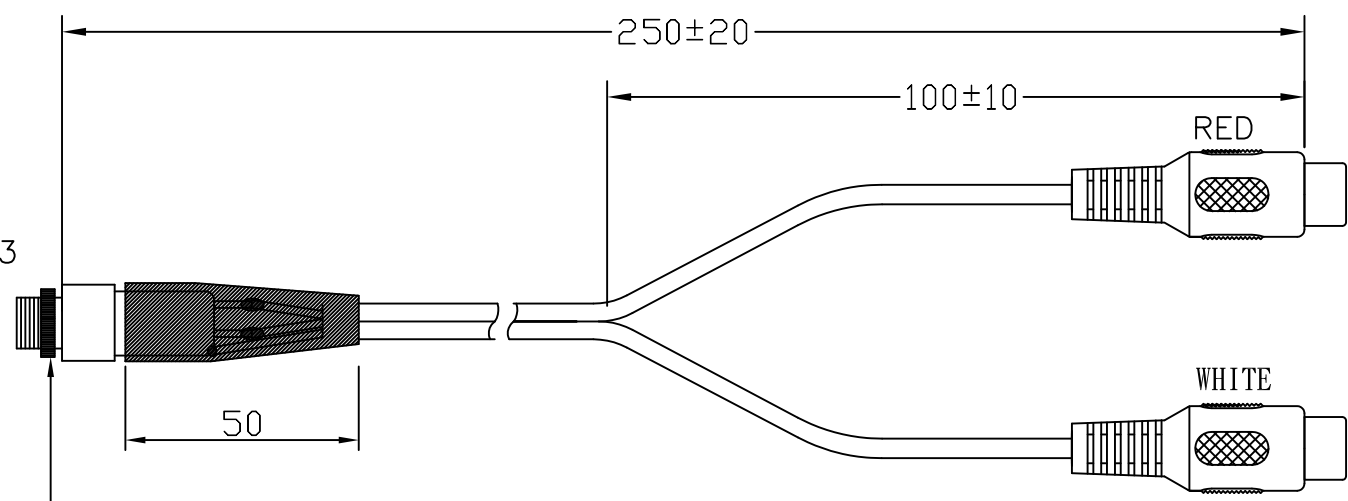
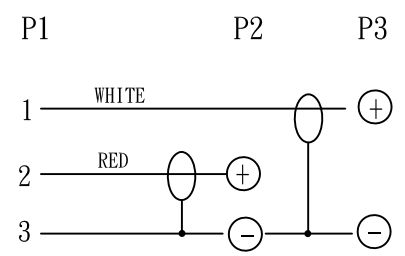


鍍錫片 2  
鐵殼 3  
黃銅片 1

此為□3.5插頭面板固定螺絲



PIN ASSIGNMENT



PNRCX12-0302-F25C-LF  
LEADFREE

RoHS Compliant

4	TUBE	TUBE-HT-□8.0	50*1	MM
3	CONNECTOR	RCA-S <鍍銀,黃電木>	2	PCS
2	CONNECTOR	STEREO JACK:□3.5 帶螺牙式	1	PCS
1	CABLE	UL2562 28**<1C+S>*2F, 2.8*5.6, BK10 <紅,白>	0.25	M
NO	PART NO.	DESCRIPTION	QTY	UNIT

**MORETHANALL**  
CONNECTORS  
ASSEMBLIES

煜倫股份有限公司

PART NO. PNRCX12-0302-F25C

DWG NO. PNRCX12-0302-F25C

FILE NO.

UNIT / mm

CHECKED BY CY

DRAWING BY

SCALE 1:1

PROJECTION

TOLERANCES ARE  
X.±  
.X±  
.XX±  
.XXX±  
ANG

DESCRIPTION:	3.5 F TO RCA F L:250mm		
AREA	REVISIONS	DATE	