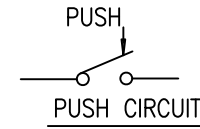
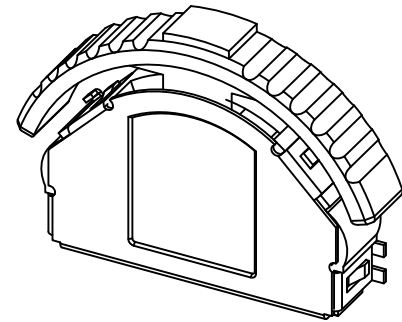
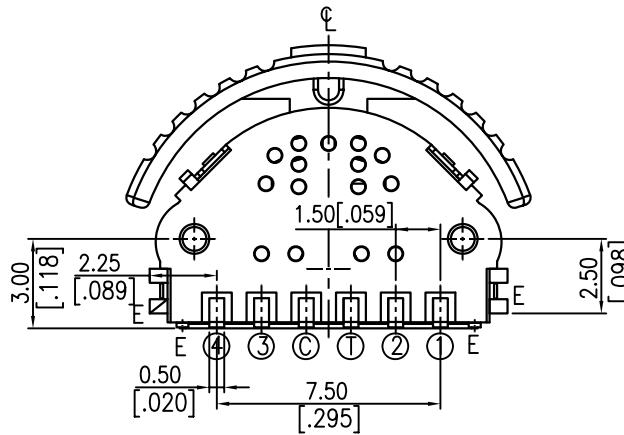
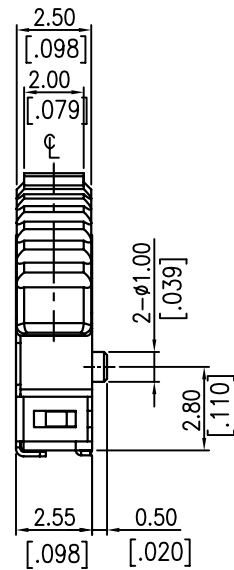


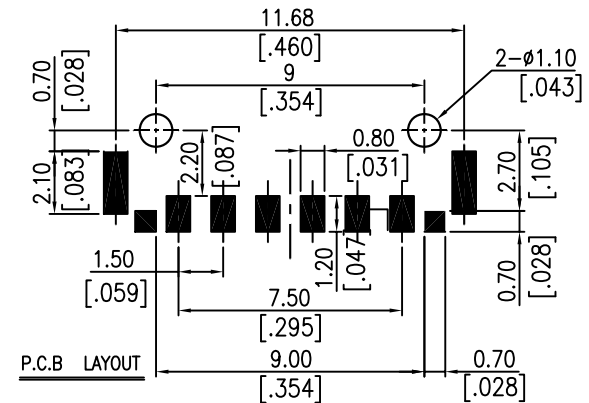
- NOTE:
1. ALL DIMENSION ARE IN MILLIMETERS, BRACKETED DIMENSIONS ARE IN INCHES.
 2. GENERAL TOLERANCES MAX. ± 0.20 mm.
 3. PUSH OF STROKE: 0.8mm.



ANGLE	A		B		ANGLE
	20°	(16°)	(8°)	(16°)	20°
TERMINAL NO.					
①	█				
②	█				
③					
④				█	
Ⓢ	█	█	█	█	█

* E : ERTHING TERMINAL
 * █ : ON POSITION

CIRCUIT DIAGRAM



RoHS Compliant

TOLERANCES ARE



煜倫股份有限公司

www.morethanall.com

DRAWING BY CY

CHECKED BY GENIUS

UNIT / mm SCALE 1 : 1

DATE

SIZE A4

PJECTION

X, ±
 X ±
 .XX ±
 .XXX ±
 ANG ±



ORDER INFORMATION

PLS-WP-06-LF
 SERIES | LEADFREE
 | 06 WAY
 | POST
 | 90°SMT

DESCRIPTION: PLJG Assembly (Push Lever SW. Type)