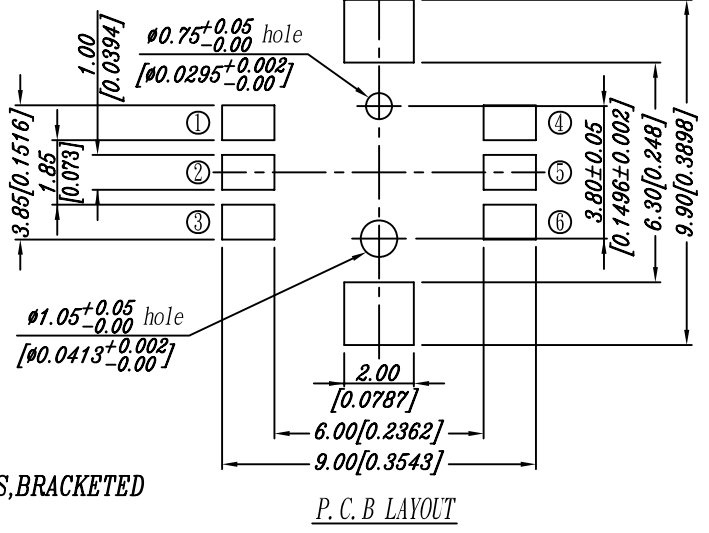
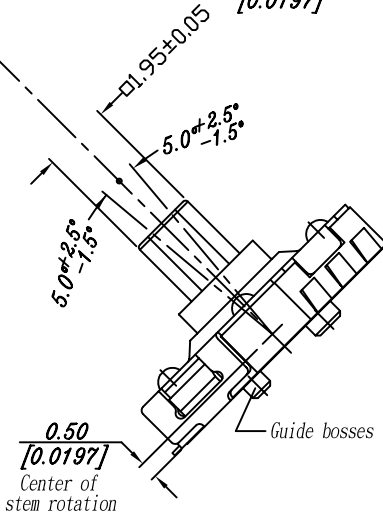
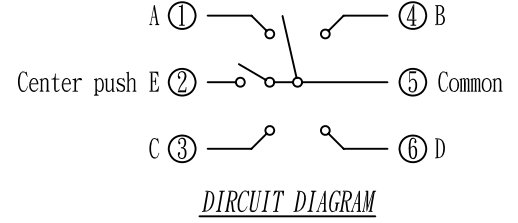
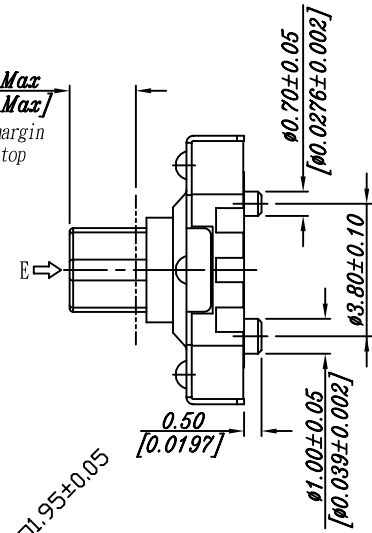


1.90 Max
[0.074 Max]
Fitting margin
for key top



NOTE:
1. ALL DIMENSIONS ARE IN MILLIMETERS, BRACKETED DIMENSIONS ARE IN INCHES.
2. GENERAL TOLERANCES MAX.

PLS-VP-05-LF
LEADFREE
RoHS Compliant

MORETHANALL
CONNECTORS
ASSEMBLIES
焯倫股份有限公司

PART NO. PLS-VP-05		CHECKED BY CY		TOLERANCES ARE .X ± .XX ± .XXX ± AWG	DESCRIPTION:			
DWG NO. PLS-VP-05		DRAWING BY						
FILE NO.		PROJECTION		AREA	REVISIONS	HK	DATE	