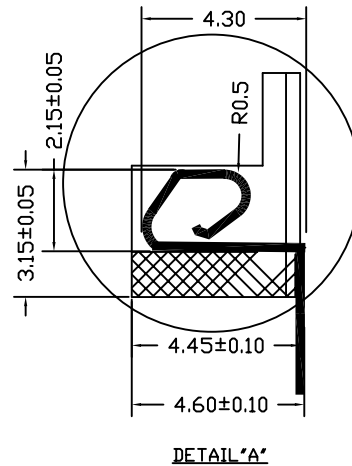
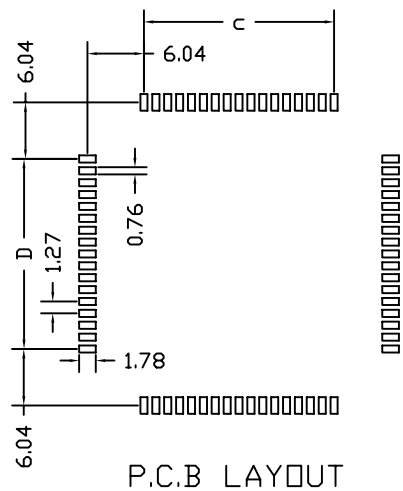


SECTION A-A



DETAIL "A"

### MATERIAL:

INSULATOR :Hi-temp PPS.UL 94V-0, 240°C  
 Contact material:phosphor bronze JIS 5210  
 Contact Platred :150μ"tin over 40μ"nickel

### SPECIFICATIONS:

Temperature range:-50°C to 105°C  
 CURRENT Rating :1 AMP  
 Capacitance:1.0 Picoforads (Min)  
 Contact resistance:30 Milliohms (Min)  
 Insulation Resistance :1000 Megohms (Min)  
 Withstanding Voltage: AC 600 Vrms

NO OF CONTACT	A±0.2	B±0.2	C±0.1	D±0.1	E±0.2
20	15.66	15.66	5.08	5.08	17.28
28	18.20	18.20	7.62	7.62	20.87
32	18.20	20.74	7.62	10.16	22.60
44	23.28	23.28	12.70	12.70	28.30
52	25.82	25.82	15.24	15.24	31.65
68	30.90	30.90	20.32	20.32	39.00
84	35.98	35.98	25.40	25.40	46.10

RoHS Compliant

TOLERANCES ARE

**MORETHANALL**  
 PCB CONNECTORS  
 Cable ASSEMBLIES

煜倫股份有限公司

www.morethanall.com

DRAWING BY CY

CHECKED BY GENIUS

UNIT / mm

SCALE 1 : 1

DATE

SIZE A4

X, ±  
 .X ±  
 .XX ±  
 .XXX ±  
 ANG ±

P PROJECTION

照片框

ORDER INFORMATION

PL-VL-xx-LF  
 SERIES | LEADFREE  
 20-84WAY  
 LAYOUT  
 180°SMT

DESCRIPTION: