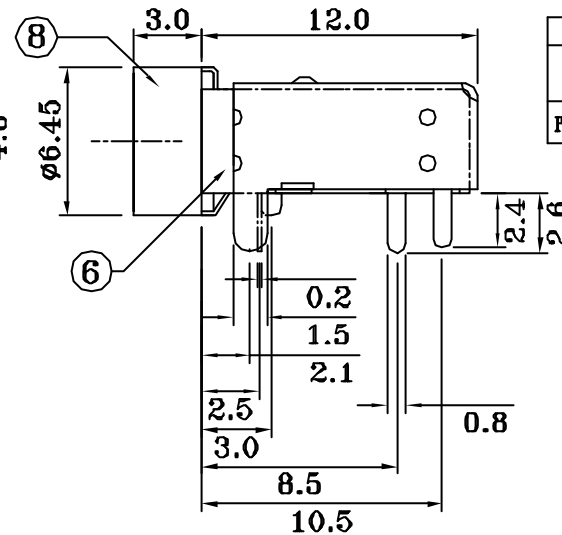
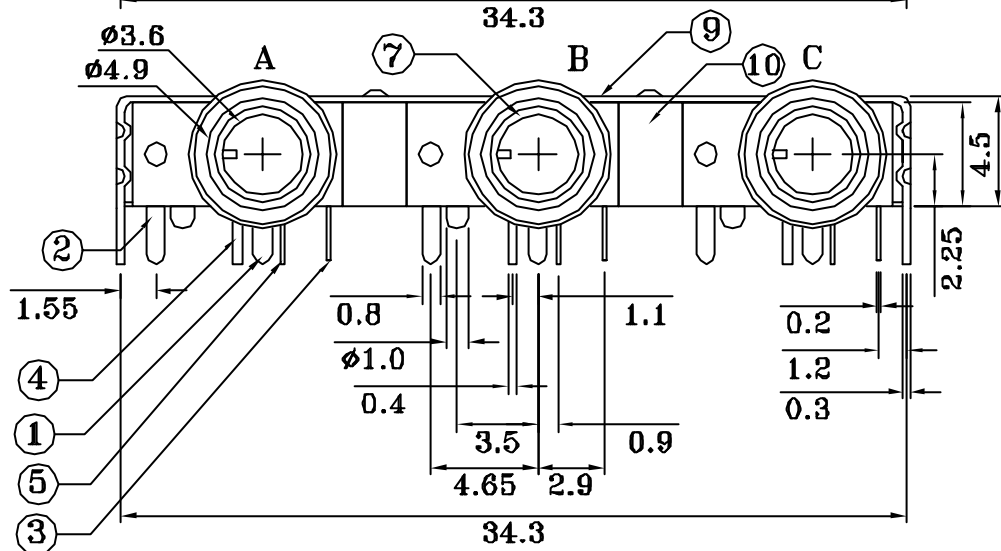


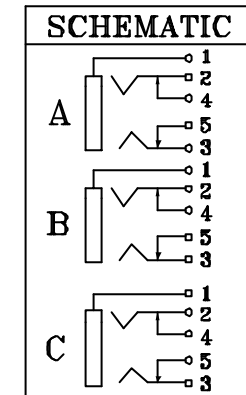
NO.	NAME	MATERIAL	FINISH
1	GROUND TERM.	PBS	TIN PLATED
2	RING SPRING	PBS	TIN PLATED
3	TIP SPRING	PBS	TIN PLATED
4	RING BREAK	BRASS	TIN PLATED
5	TIP BREAK	BRASS	TIN PLATED
6	HOUSING	NYLON PA9T G.F.	
7	BUSHING	BRASS	NICKEL PLATED
8	BARREL	BRASS	TIN PLATED
9	BACK SHIELD	SPCC;0.3mm	NICKEL PLATED
10	HOLDER	NYLON PA9T G.F.	BLACK

PJA3-Rxxx-05C-LF  
 COLOUR LEADFREE

RoHS Compliant



NO.	BLACK	PINK	LIGHT BLUE	LIME
COLOR				
PANTONE		701C	284C	577C



**MORETHANALL**  
 CONNECTORS  
 ASSEMBLIES

PART NO. PJA3-Rxxx-05C

DWG NO. PJA3-Rxxx-05C

FILE NO.

UNIT / mm

SCALE 1:1

CHECKED BY CY

DRAWING BY

PROJECTION

TOLERANCES ARE

.X ± 0.2  
 .XX ±  
 .XXX ±  
 AWG

DESCRIPTION:

AREA

REVISIONS

HK

DATE

煜倫股份有限公司