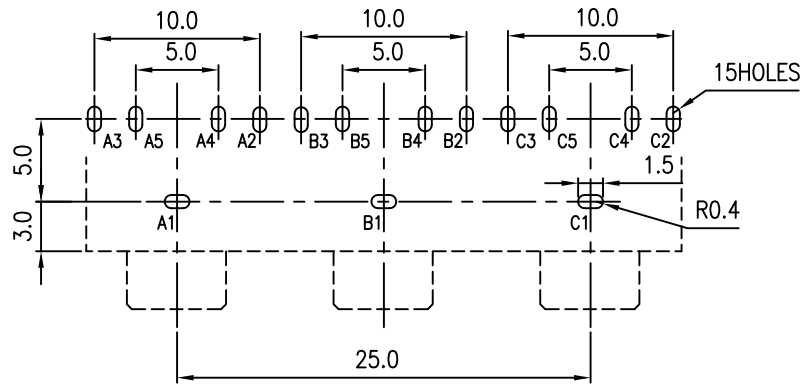


PJA3-RS35GBR-05C	GERRN	BLUE	PINK
BUSHING "9ITEM"	A	B	C



T:1.6 Dimensions of PC board holes

Tolerance : ±0.05(Printed-Top view)

UNLESS OTHERWISE SPECIFIED, TOLERANCE ON DECIMAL: ±0.3

11	SPRING	3	SWC	∅0.40	Ni PLATED
10	SPRING PIECE	3	SUS301	t=0.20	
9	BUSHING	3	PBT 4815		
8	COVER	3	PBT 4815		UL-94V0(BLACK)
7	HOUSING	1	PA66		BLACK
6	BUSHING	3	H59(COPPER ALLOY)		Ni PLATED
5	SHUNT TERMINAL	3	C2680	t=0.40	Sn PLATED
4	SHUNT TERMINAL	3	C2680	t=0.40	Sn PLATED
3	RING SPRING	3	C5191	t=0.25	Sn PLATED
2	TIP SPRING	3	C5191	t=0.30	Sn PLATED
1	EARTH TERMINAL	3	C2680	t=0.50	Sn PLATED
LTR	PART NAME	QTY	MATERIAL		REMARK

RoHS Compliant

TOLERANCES ARE

MORETHANALL
PCB CONNECTORS
Cable ASSEMBLIES

煜倫股份有限公司

www.morethanall.com

DRAWING BY CY

CHECKED BY GENIUS

UNIT / mm SCALE 1 : 1

DATE

SIZE A4

X, ±
.X ±
.XX ±
.XXX ±
ANG ±

PJECTION

照片框

ORDER INFORMATION

PJA3-RS35GBP-05C-LF

SERIES LEADFREE
5P3C
GREEN/BLUE/PINK
3.0+5.0mm
SPRING
DIP 90°

DESCRIPTION: MINIATURE JACK