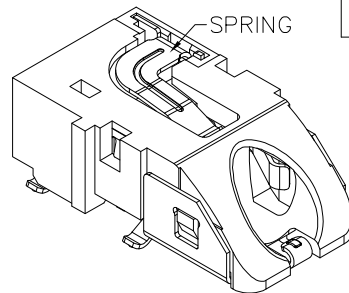
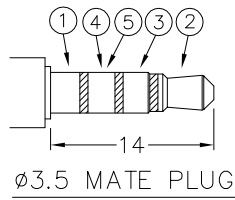
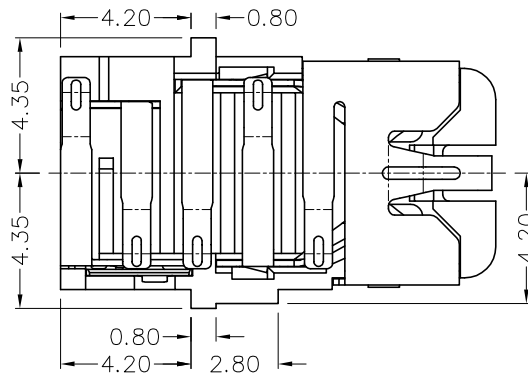
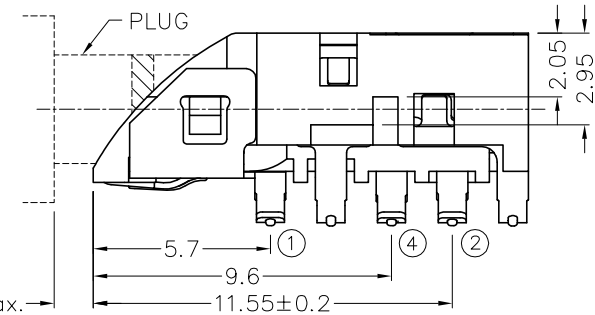
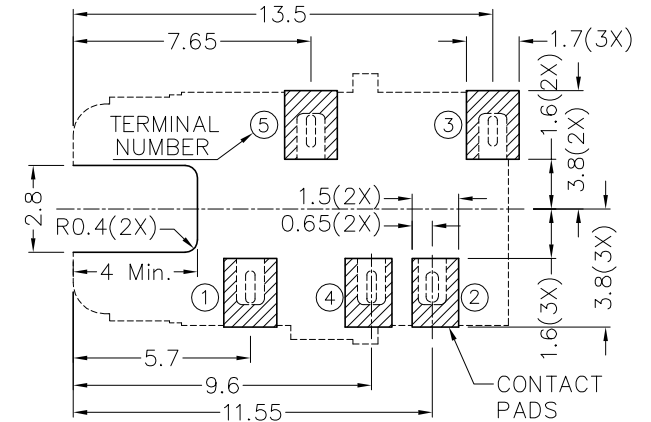
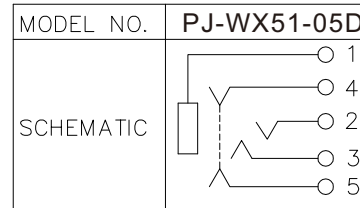


1.25 Max.
(GAP)



* MATERIAL

- TERMINAL 1 : COPPER ALLOY
- TERMINAL 2 : COPPER ALLOY
- TERMINAL 3 : COPPER ALLOY
- TERMINAL 4 : COPPER ALLOY
- TERMINAL 5 : COPPER ALLOY
- SPRING : COPPER ALLOY
- HOUSING : HIGH TEMP. PLASTIC



RECOMMENDED PCB LAYOUT
TOLERANCE: ±0.05
(TOP VIEW)

RoHS Compliant

TOLERANCES ARE

MORETHANALL
PCB CONNECTORS
Cable ASSEMBLIES

煜倫股份有限公司

www.morethanall.com

DRAWING BY CY

CHECKED BY GENIUS

UNIT / mm SCALE 1 : 1

DATE

SIZE A4

X ± 0.30

.X ± 0.20

.XX ± 0.10

.XXX ± 0.05

ANG ±

P PROJECTION

照片框

ORDER INFORMATION

PJ-WX51-05D-LF
SERIES | LEADFREE
5P4C
5+1mm/PAD
NON POST
90°SMT

DESCRIPTION: 3.5mm STEREO JACK