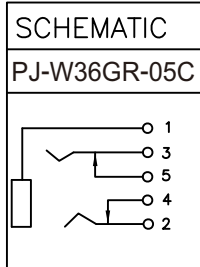


T:1.6 Dimensions of PC board holes
Tolerance : ±0.05(Printed-top view)



UNLESS OTHERWISE SPECIFIED, TOLERANCE ON DECIMAL: ±0.2

LTR	PART NAME	QTY	MATERIAL	REMARK
7	HOUSING	1	PA9T	UL-94V0(BLACK)
6	COVER	1	PA9T	UL-94V0(BLACK)
5	TERMINAL	1	C2680 t=0.30	Au PLATED
4	TERMINAL	1	C2680 t=0.30	Au PLATED
3	SPRING TERMINAL	1	C5191 t=0.20	Au PLATED
2	SPRING TERMINAL	1	C5191 t=0.20	Au PLATED
1	CONTACT FOOT	1	C5191 t=0.30	Au PLATED

RoHS Compliant

TOLERANCES ARE

MORETHANALL
PCB CONNECTORS
Cable ASSEMBLIES

DRAWING BY CY

CHECKED BY GENIUS

UNIT / mm SCALE 1 : 1

DATE

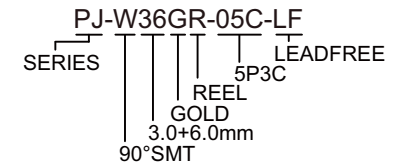
SIZE A4

X, ±
.X ±
.XX ±
.XXX ±
ANG ±

P PROJECTION

照片框

ORDER INFORMATION



DESCRIPTION: MINIATURE JACK

煜倫股份有限公司

www.morethanall.com

1 Space=1 pcs

1 Film packing box=1×600pcs
=600pcs

1 Big Carton=13×600pcs=7800pcs

1 Film packing box Dimension
=L×W×H
=10200×24×6.9

The thickness of the film=0.4mm

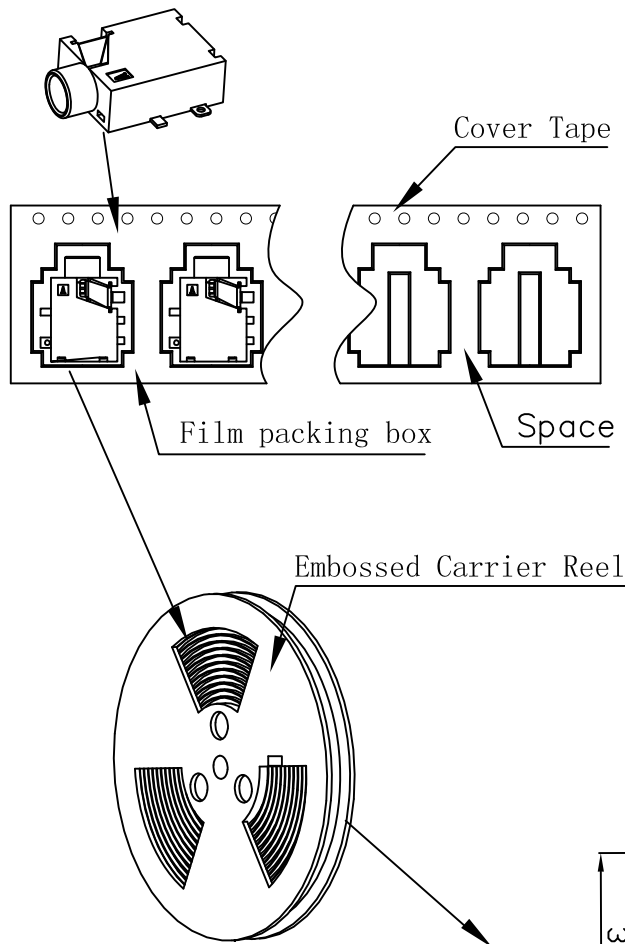
1 Cover tape Dimension
=L×W×H
=10200×21.3×0.06

1 Embossed Carrier Reel Dimension
=D×H
=330×29.1

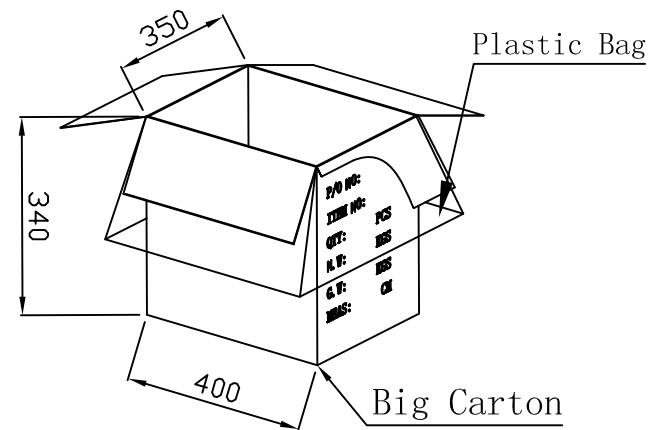
1 Plastic Bag Dimension
=L×W×D
=1000×1100×0.06

1 Big Carto Dimension
=L×W×H
=400×350×340

Unit:mm



Total weight:11Kg
Net weight: 5.5Kg



RoHS Compliant

TOLERANCES ARE

MORETHANALL
PCB CONNECTORS
Cable ASSEMBLIES

DRAWING BY CY

X.±

CHECKED BY GENIUS

.X±

UNIT/mm

SCALE 1:1

.XX±

DATE

.XXX±

ANG±

SIZE A4

PJECTION

照片框

ORDER INFORMATION

PJ-W36GR-05C-LF
 SERIES REEL LEADFREE
 5P3C
 GOLD
 3.0+6.0mm
 90°SMT

DESCRIPTION:

煜倫股份有限公司

www.morethanall.com