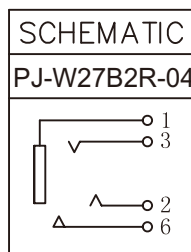
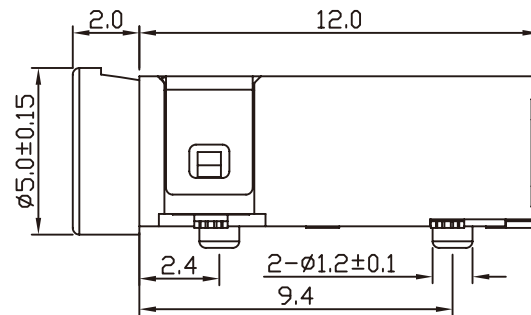
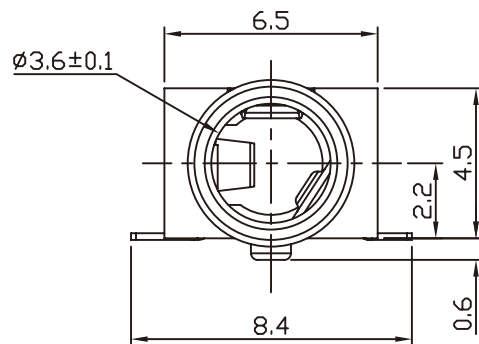


T:1.6 Dimensions of PC board holes
Tolerance : ±0.05(Printed-top view)



5	HOUSING	1	PA9T		UL-94V0(BLACK)
4	CONTACT FOOT	1	C2680	t=0.20	MB:Ni Ag PLATED
3	SPRING FOOT	1	C5191	t=0.20	MB:Ni Ag PLATED
2	SPRING FOOT	1	C5191	t=0.20	MB:Ni Ag PLATED
1	CONTACT FOOT	1	C5191	t=0.20	MB:Ni Ag PLATED
LTR	PART NAME	QTY	MATERIAL		REMARK

UNLESS OTHERWISE SPECIFIED, TOLERANCE ON DECIMAL: ±0.2

RoHS Compliant

TOLERANCES ARE

MORETHANALL
PCB CONNECTORS
Cable ASSEMBLIES

煜倫股份有限公司

www.morethanall.com

DRAWING BY CY

CHECKED BY GENIUS

UNIT / mm SCALE 1 : 1

DATE

SIZE A4

X, ±
.X ±
.XX ±
.XXX ±
ANG ±

PJECTION

照片框

ORDER INFORMATION

PJ-W27B2R-04-LF

SERIES | LEADFREE
4 WAY
REEL
BUSHING 2.0mm
POST 2.4+7mm
90°SMT

DESCRIPTION: MINIATURE JACK

1 Space=1 pcs

1 Film packing box=700pcs×1
=700pcs

1 Big Carton=700pcs×13=9100pcs

1 Film packing box Dimension
=L×W×H
=11800×24×5.95

The thickness of the film=0.35mm

1 Embossed Carrier Reel Dimension
=D×H
=330×29.1

1 Cover tape Dimension
=L×W×H
=11800×21.3×0.06

1 Plastic Bag Dimension
=L×W×D
=1000×1100×0.06

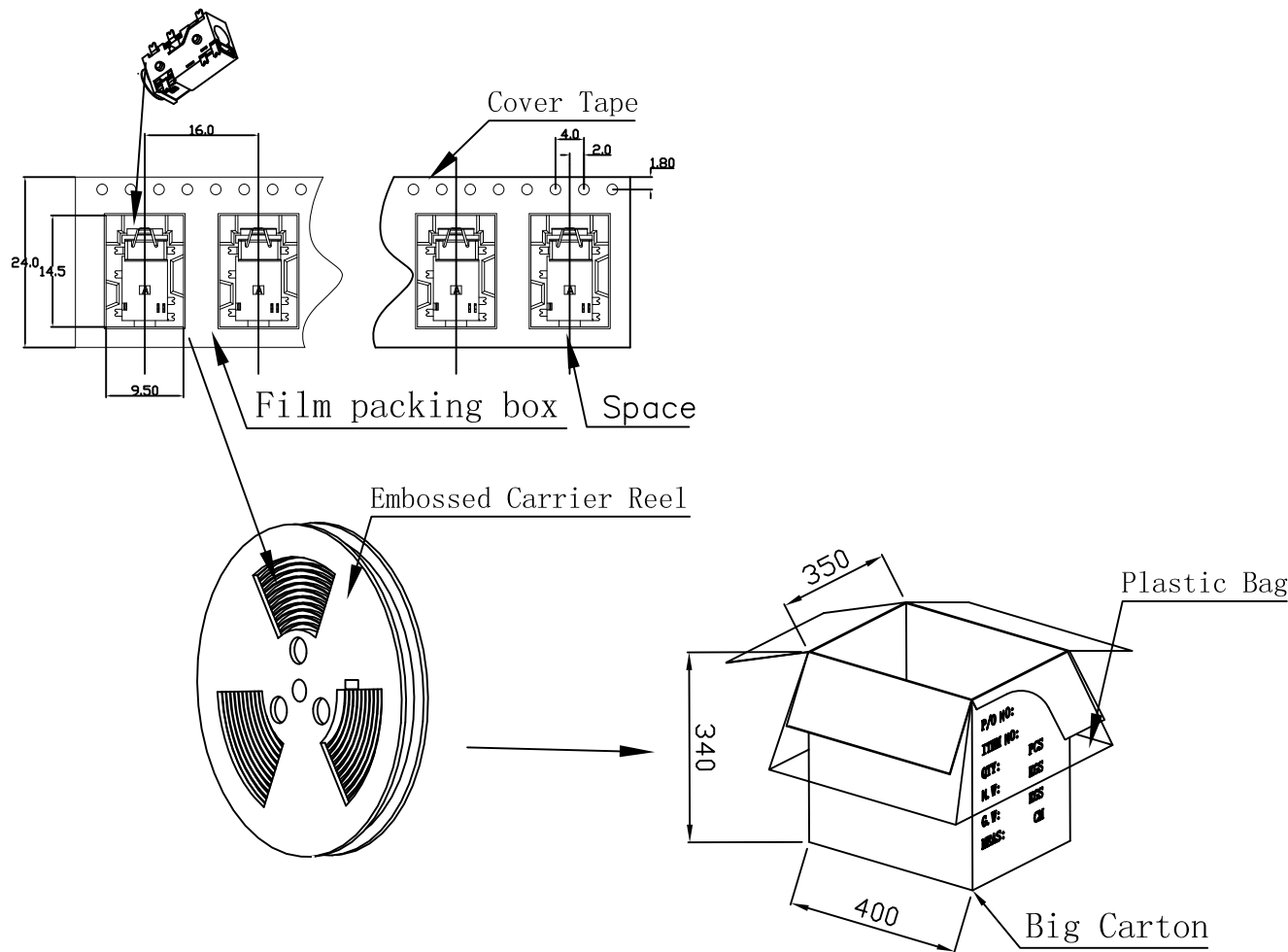
1 Big Carto Dimension
=L×W×H
=400×350×340

Unit:mm

Packing temperature request:
105°C~115°C

Net weight:4.5Kg

Total weight:10Kg



RoHS Compliant

TOLERANCES ARE

MORETHANALL
PCB CONNECTORS
Cable ASSEMBLIES

DRAWING BY CY

X.±

CHECKED BY GENIUS

.X±

UNIT/mm

SCALE 1:1

.XX±

DATE

.XXX±

ANG±

SIZE A4

PJECTION

照片框

ORDER INFORMATION

PJ-W27B2R-04-LF

SERIES	LEADFREE
	4 WAY
	REEL
	BUSHING 2.0mm
	POST 2.4+7mm
	90°SMT

DESCRIPTION: MINIATURE JACK

煜倫股份有限公司

www.morethanall.com