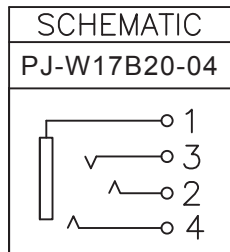
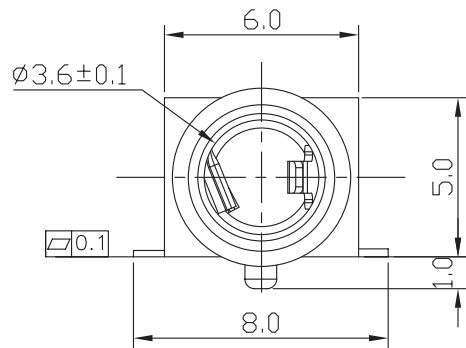


T:1.6 Dimensions of PC board holes
Tolerance : ±0.05(Printed-top view)



5	HOUSING	1	PA9T		UL-94V0(BLACK)
4	4# CONTACT FOOT	1	C5191	t=0.25	Ag PLATED
3	3# CONTACT FOOT	1	C5191	t=0.25	Ag PLATED
2	2# CONTACT FOOT	1	C5191	t=0.25	Ag PLATED
1	1# CONTACT FOOT	1	C5191	t=0.25	Ag PLATED
LTR	PART NAME	QTY	MATERIAL		REMARK

UNLESS OTHERWISE SPECIFIED, TOLERANCE ON DECIMAL: ±0.2

MORETHANALL
PCB CONNECTORS
Cable ASSEMBLIES

煜倫股份有限公司

www.morethanall.com

RoHS Compliant

DRAWING BY CY

CHECKED BY GENIUS

UNIT/mm SCALE 1:1

DATE

SIZE A4

TOLERANCES ARE

X.±
.X±
.XX±
.XXX±
ANG±

PJECTION

照片框

ORDER INFORMATION

PJ-W17B20-04-LF

SERIES
90°SMT
LEADFREE
04 WAY
BUSHING 2.0mm
POST 1.7+7.0mm

DESCRIPTION: MINIATURE JACK