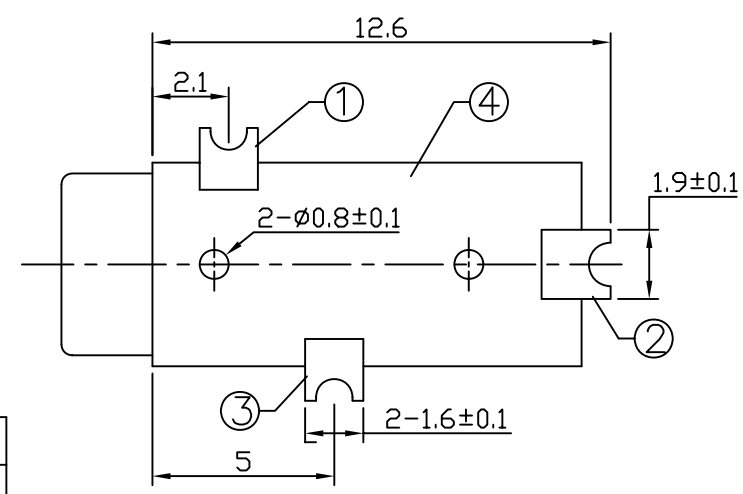


T:1.6 Dimensions of PC board holes
Tolerance : ± 0.1 (Printed-top view)



PJ-W17-xx-LF
LEADFREE
RoHS Compliant

SCHEMATIC	
PJ-W17-03	PJ-W17-02

UNLESS OTHERWISE SPECIFIED, TOLERANCE ON DECIMAL: ± 0.2

4	HOUSING	1	PA9T	UL-94V0(BLACK)
3	CONTACT FOOT	1	C5191	MB:Ni Ag PLATED
2	CONTACT FOOT	1	C5191	MB:Ni Ag PLATED
1	CONTACT FOOT	1	C5191	MB:Ni Ag PLATED
LTR	PART NAME	QTY	MATERIAL	REMARK

MORETHANALL
CONNECTORS
ASSEMBLIES

焯倫股份有限公司

PART NO. PJ-W17-xx		CHECKED BY CY	TOLERANCES ARE .X ± 0.2 .XX \pm .XXX \pm ANG
DWG NO. PJ-W17-xx			
FILE NO.		DRAWING BY	DESCRIP TION:
UNIT / mm	SCALE 1:1	PROJECTION	

AREA	REVISIONS	HK	DATE