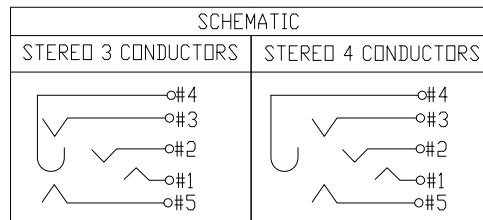
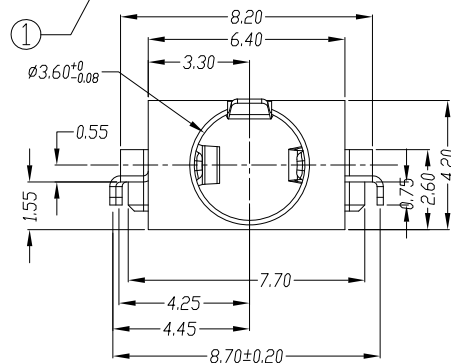
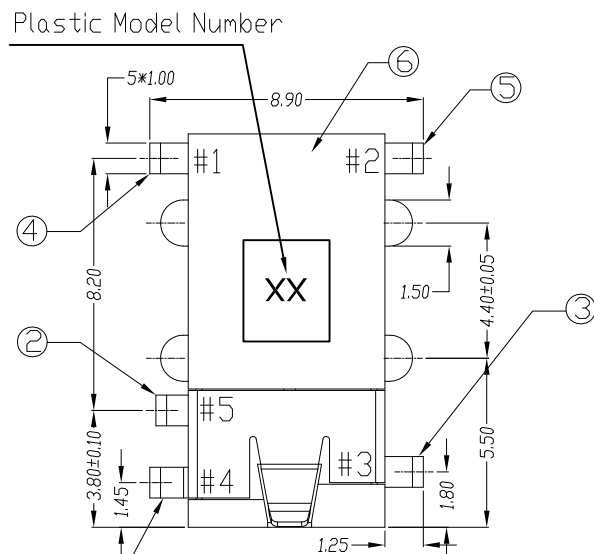
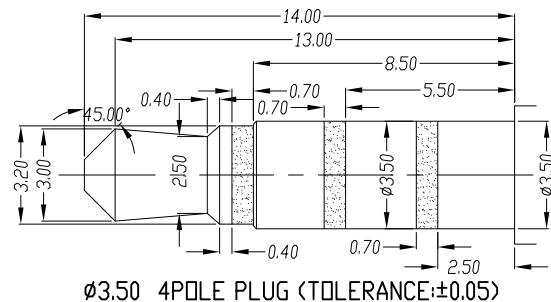


RECOMMENDED PCB LAYOUT
TOP VIEW (TOLERANCE:±0.05)

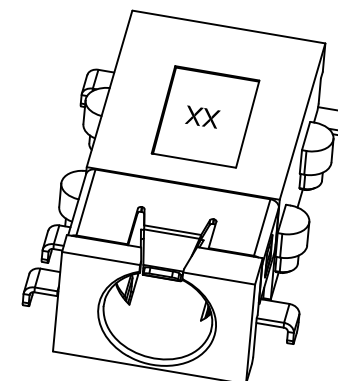
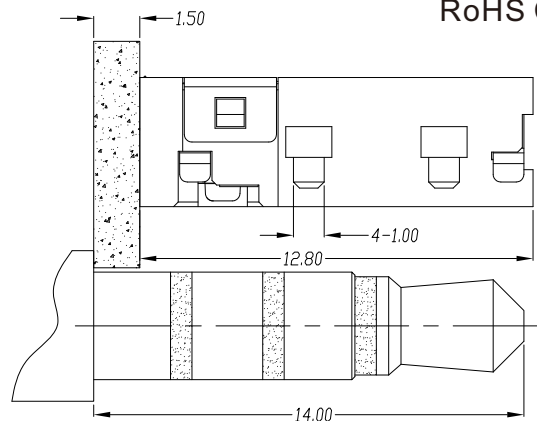


Specification:

Contact Resistance: 30m Ohm. Max.
 Insulation Resistance: 100M Ohm Min. At 500V DC.
 Rated Voltage And Current: DC 12V,1A Max ; AC 100V,1A Max.
 Dielectric Withstanding Voltage: 500V AC For 1 Minute.
 Durability (Life Test Front): 5000 cyces at 500 cycles per hour;
 Insertion Force: 0.3~3.0 Kg.
 Extraction Force: 0.3~3.0Kg.

NO	NAME	MATERIAL	FINISH	Q'TY
1	PIN1	PHOS.BRONZE(EH) 0.20mm	SILVER PLATED	1
2	PIN2	PHOS.BRONZE(EH) 0.20mm	SILVER PLATED	1
3	PIN3	PHOS.BRONZE(EH) 0.20mm	SILVER PLATED	1
4	PIN4	PHOS.BRONZE(EH) 0.20mm	SILVER PLATED	1
5	PIN5	PHOS.BRONZE(EH) 0.20mm	SILVER PLATED	1
6	HOUSING	PA9T G.F.	SEE COLOR	1

PJ-RH26B0R-05D-LF
LEADFREE
RoHS Compliant



MODEL NO.	PJ-RH26B0-05D (PC99 COLOR)					
	A	B	C	D	E	F
HOUSING	PINK	BLACK	LIME	YELLOW	ORANGE	LIGHT BLUE
PANTONE	701C		577C	123C	157C	284C



煜倫股份有限公司

PART NO. PJ-RH26B0R-05D

DWG NO. PJ-RH26B0R-05D

FILE NO.

UNIT / mm

SCALE 1:1

CHECKED BY CY

DRAWING BY

PROJECTION

TOLERANCES ARE

.X ± 0.2
.XX ±
.XXX ±
AWG

DESCRIP TION:

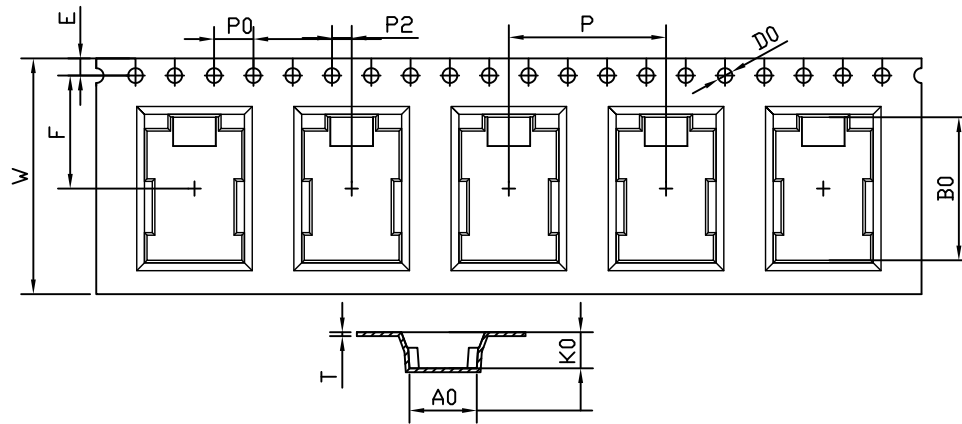
ø3.5 EARPHONE JACK
FLAT 5 PIN DIP

AREA

REVISIONS

HK

DATE



- 1, 上圓孔十個孔距離累計允許公差為±0.2
 - 2, 帶長260mm內容許彎曲度1mm
 - 3, A0 B0 尺寸由槽底0.3mm高處定義之
 - 4, K0尺寸由槽底表面處到成型帶表面處定義之
 - 5, 有所有尺寸定義依循EIA--481--C系准則定義之設計尺寸定
 - 6, 材料: 黑色材質 (DY--TR--400)
 - 7, 材料厚度0.4±0.05mm
 - 8, 所用卷輪為{色塑膠卷輪
 - 9, 13"單卷可裝長度12.6M
 - 10, 13"單卷可裝粒數: 1000pcs
 - 11, 未注明撥模斜度為3度
- 義依循EIA--481--C系准則定義之設計

ITEM	W	A0	B0	K0	P	F	E	D0	P0	P2	T
DIM	24.00±0.3	9.70±0.1	14.50±0.1	4.80±0.1	16 ^{+0.1} ₀	11.5±0.15	1.75±0.1	1.5 ^{+0.1} ₀	4.0±0.1	2.0±0.1	0.4±0.05
ALTRNATE											
Custom Confrin: _ Date: _		< >Accept < >Rejection Reason: _									

MORETHANALL
CONNECTORS
ASSEMBLIES

PART NO. PJ-RH26B0R-05D

DWG NO. PJ-RH26B0R-05D

FILE NO.

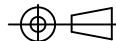
UNIT / mm

SCALE 1:1

CHECKED BY CY

DRAWING BY

PROJECTION



TOLERANCES ARE

X.±
.X±
.XX±
.XXX±
ANG

DESCRIPTION:

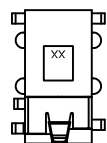
AREA

REVISIONS

DATE

煜倫股份有限公司

(1)



(1). 1pcs= 0.43g

(2)



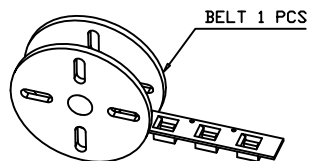
(2). PACKING MATERIAL(包裝材料): BELT 1 SET

WEIGHT(重量): 344 g

QUANTITY(規格): 800PCS



(3)



(3). PACKING MATERIAL(包裝材料): PE BAG(PE袋) 1 PCS

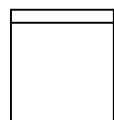
BELT 10 SET

CARTON(紙箱)1 PCS

WEIGHT(重量): NET(淨重) 3.44 kgs

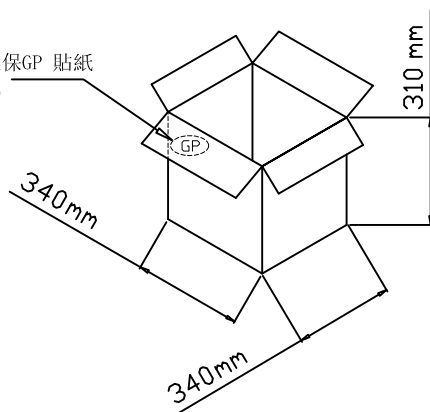
GROSS(毛重) 8.20 kgs

QUANTITY(規格): 800* 10 = 8000 PCS



PE BAG

綠色環保GP 貼紙
粘貼處



備注:

1.卷盤:直徑為330mm、高度為28mm

2.膠袋為:USB防水袋(620*560*0.1)

3.紙箱尺寸為340*340*310 mm.(兩坑)

MORETHANALL
CONNECTORS
ASSEMBLIES

PART NO. PJ-RH26B0R-05D

DWG NO. PJ-RH26B0R-05D

FILE NO.

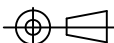
UNIT / mm

SCALE 1:1

CHECKED BY CY

DRAWING BY

PROJECTION



TOLERANCES ARE

X. ±
.X ±
.XX ±
.XXX ±
ANG

DESCRIPTION: PACKING SPECIFICATION (包裝明細)

AREA

REVISIONS

DATE

焯倫股份有限公司