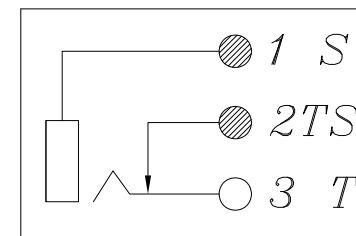
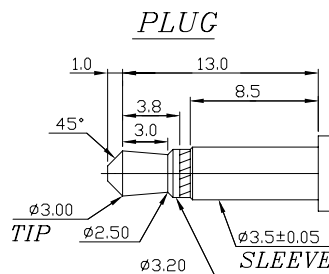
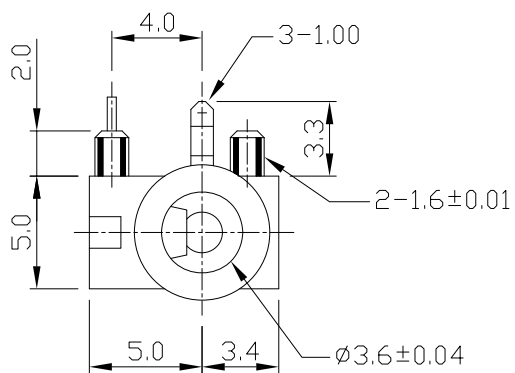


P.C.B LAYOUT(±0.1)  
(BOTTOM VIEW)



PJ-R70B-03B-LF  
LEADFREE  
RoHS Compliant

5	HOUSING	1	POM		BLACK
4	BUSHING	1	BRASS	NICKEL	
3	TIP	1	P.B.S	SILVER	
2	TIP SHUNT	1	BRASS	SILVER	
1	SLEEVE	1	BRASS	SILVER	
NO	PART NAME	Q'TY	MATERIAL	PLATED	REMARK

**MORETHANALL**  
CONNECTORS  
ASSEMBLIES

PART NO. PJ-R70B-03B

DWG NO. PJ-R70B-03B

FILE NO.

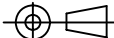
UNIT / mm

SCALE 1:1

CHECKED BY CY

DRAWING BY

PROJECTION



TOLERANCES ARE

.X ± 0.2  
.XX ±  
.XXX ±  
AWG

DESCRIPTION: EARPHONE JACK

AREA

REVISIONS

HK

DATE

焯倫股份有限公司