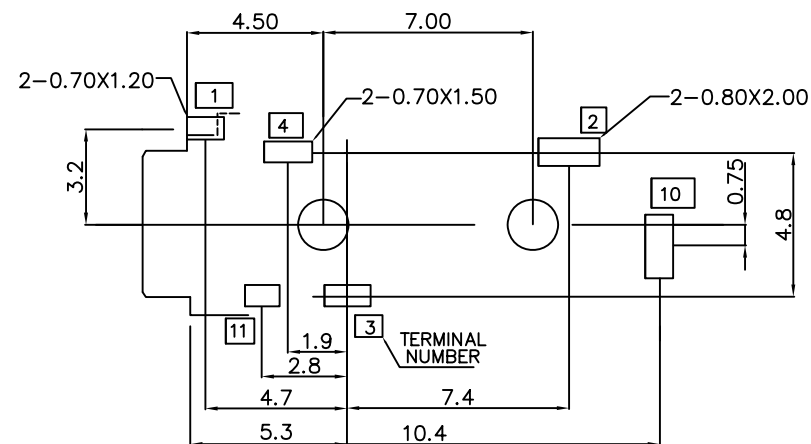


11	RING SHUNT	1	BRASS	TIN	
10	TIP SHUNT	1	BRASS	TIN	
6	COVER	1	PA66		BLACK
5	HOUSING	1	PA66		BLACK
4	SLEEVE TERMINAL	1	P.B.S	TIN	
3	RING	1	P.B.S	TIN	
2	TIP	1	P.B.S	TIN	
1	SLEEVE	1	P.B.S	TIN	
NO	PART NAME	Q'TY	MATERIAL	PLATED	COLOR



RoHS Compliant

TOLERANCES ARE

MORETHANALL
PCB CONNECTORS
Cable ASSEMBLIES

DRAWING BY CY

X.±

CHECKED BY GENIUS

.X±

UNIT / mm

SCALE 1 : 1

.XXX±

DATE

ANG±

SIZE A4

P PROJECTION

照片框

ORDER INFORMATION

PJ-W47-xxx-LF

SERIES | LEADFREE
SCHEMATIC
4.7+7.4mm
90°SMT

煜倫股份有限公司

www.morethanall.com

DESCRIPTION: