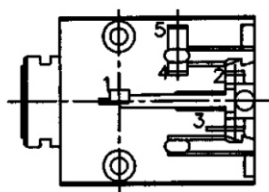
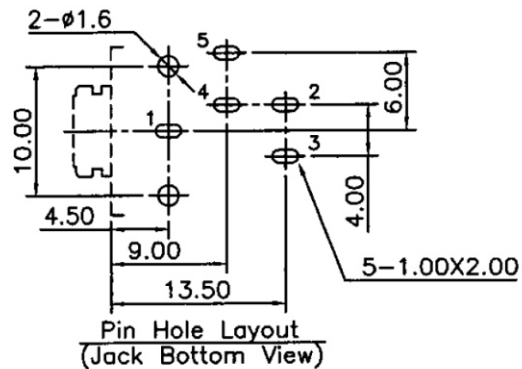
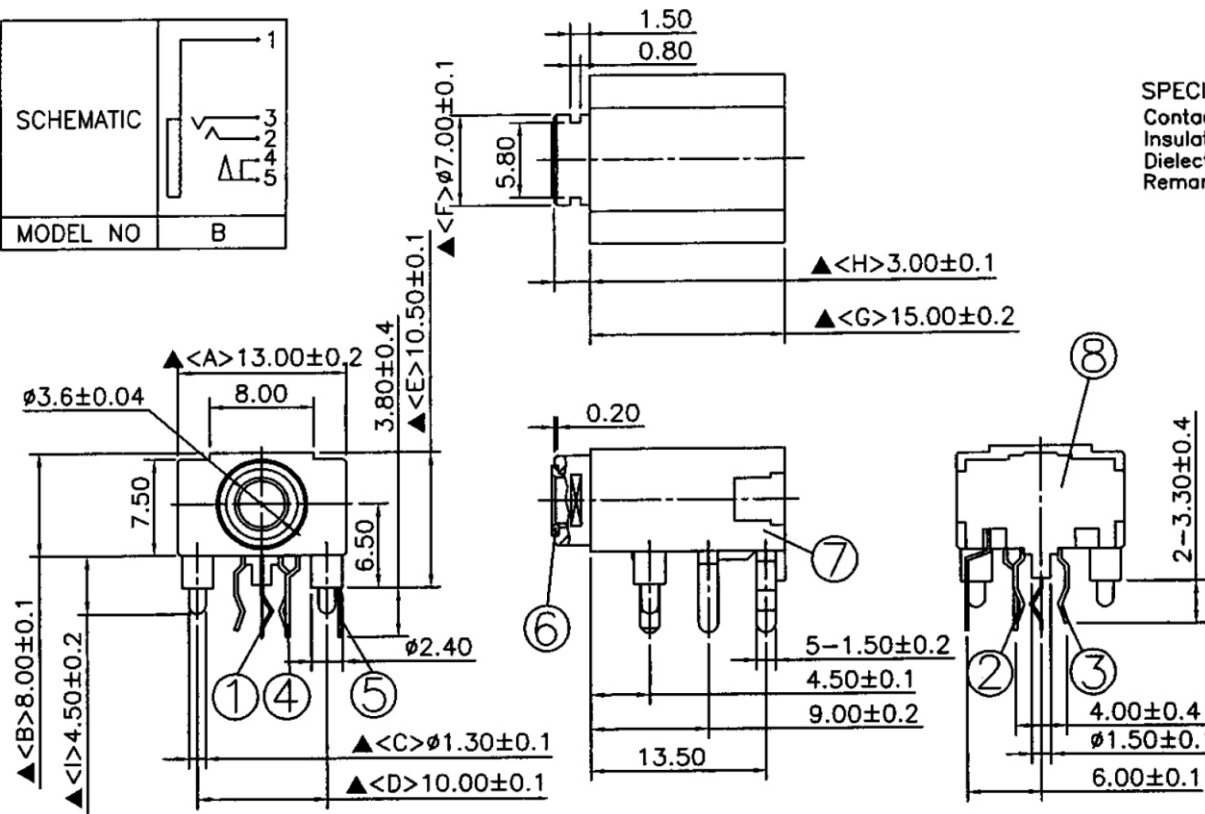


SPECIFICATIONS:

Contact Resistance : 30mΩ max
 Insulation Resistance : 100MΩ min. at DC 500V
 Dielectric Withstanding Voltage: AC 500V for one minute
 Remark: ▲: The Most Important Dimension



NO.	Description	Material	Q'TY	Finish
8.	Cover	POM	1	White Color
7.	Housing	PBT	1	Black Color
6.	Barrel	Brass	1	Gold Plated
5.	Separator Spring	0.25T Phosphor Bronze	1	Gold Plated
4.	Break Terminal	0.3T Brass	1	Gold Plated
3.	Ring Spring	0.25T Phosphor Bronze	1	Gold Plated
2.	Tip Spring	0.3T Phosphor Bronze	1	Gold Plated
1.	Earth Spring	0.2T Phosphor Bronze	1	Gold Plated

RoHS Compliant

TOLERANCES ARE

MORETHANALL
 PCB CONNECTORS
 Cable ASSEMBLIES

DRAWING BY CY

X, ±

CHECKED BY GENIUS

.X, ±

UNIT / mm

SCALE 1 : 1

.XXX, ±

DATE

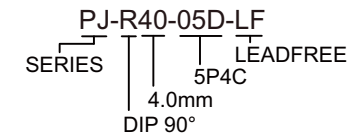
ANG, ±

SIZE A4

P PROJECTION

照片框

ORDER INFORMATION



煜倫股份有限公司

www.morethanall.com

DESCRIPTION: