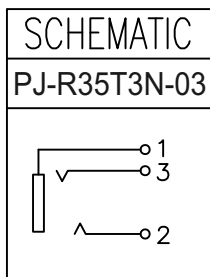


T:1.6 Dimensions of PC board holes  
Tolerance : ±0.1(Printed-top view)



PJ-R35T3-03-LF  
LEADFREE  
RoHS Compliant

UNLESS OTHERWISE SPECIFIED, TOLERANCE ON DECIMAL: ±0.3

6	HOUSING	1	PBT 4815	UL-94V0
5	COVER	1	PBT 4815	UL-94V0
4	AXIS SUPPORT	1	H59(COPPER ALLOY)	MB:Cu Ni PLATED
3	5# CONTACT FOOT	1	C5191 t=0.3	MB:Cu Sn PLATED
2	2# CONTACT FOOT	1	C5191 t=0.25	MB:Cu Sn PLATED
1	1# CONTACT FOOT	1	C2680 t=0.5	MB:Cu Sn PLATED
LTR	PART NAME	QTY	MATERIAL	REMARK

**MORETHANALL**  
CONNECTORS  
ASSEMBLIES

PART NO. PJ-R35T3N-03

DWG NO. PJ-R35T3N-03

FILE NO.

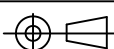
UNIT / mm

SCALE 1:1

CHECKED BY CY

DRAWING BY

PROJECTION



TOLERANCES ARE

.X ±  
.XX ±  
.XXX ±  
AWG

DESCRIPTION: MINIATURE JACK

AREA

REVISIONS

HK

DATE

焯倫股份有限公司

1 2 3 4 5 6 7 8 9 0

J

I

H

G

F

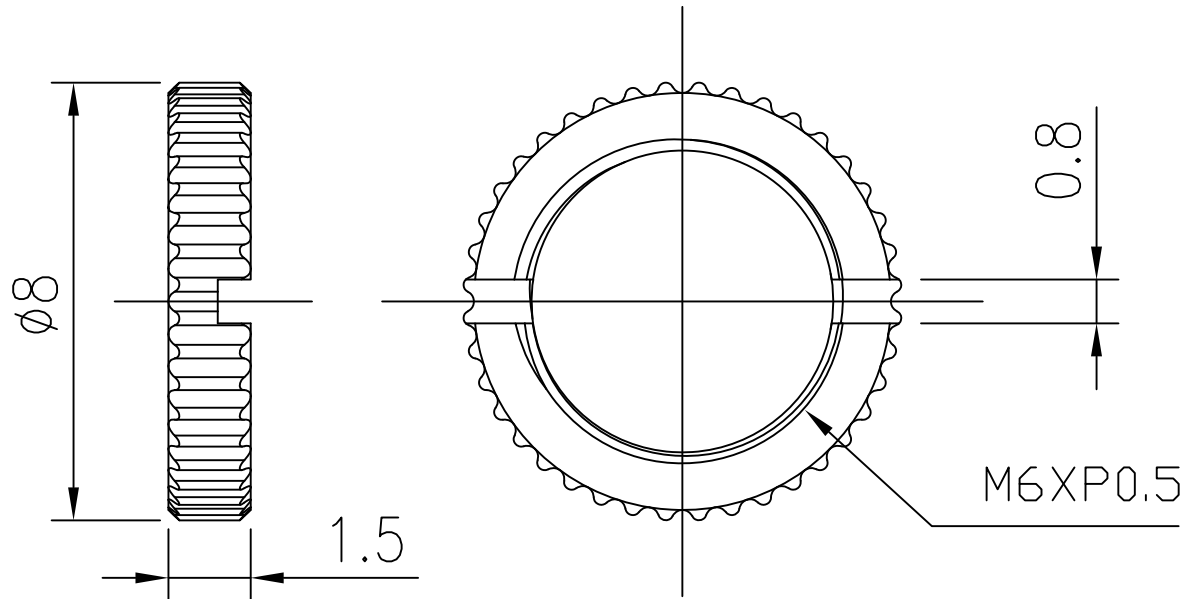
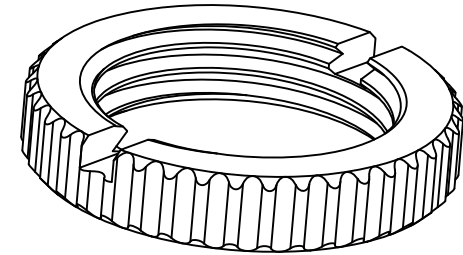
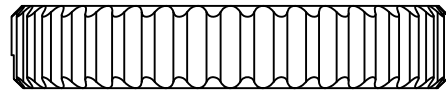
E

D

C

B

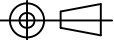
A



UNLESS OTHERWISE SPECIFIED, TOLERANCE ON DECIMAL:  $\pm 0.3$

RoHS Compliant

**MORETHANALL**  
CONNECTORS  
ASSEMBLIES

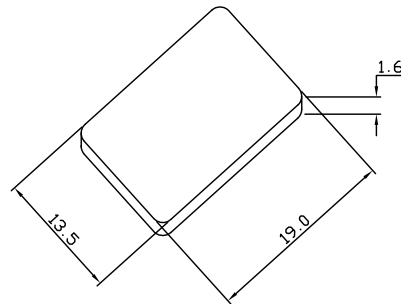
PART NO. PJ-R35T3N-03	CHECKED BY CY		TOLERANCES ARE X. $\pm$ .X $\pm$ .XX $\pm$ .XXX $\pm$ ANG	DESCRIPTION: MINIATURE JACK		
	DWG NO. PJ-R35T3N-03	DRAWING BY				
FILE NO.	UNIT / mm	SCALE 1:1	PROJECTION 	AREA	REVISIONS	DATE

焯倫股份有限公司

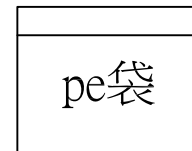
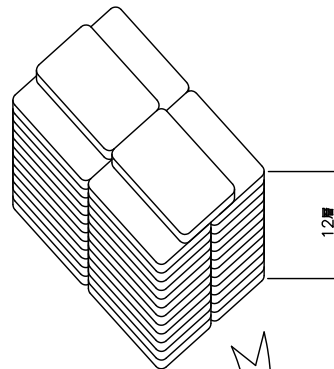
1 2 3 4 5 6 7 8 9 0

J  
I  
H  
G  
F  
E  
D  
C  
B  
A

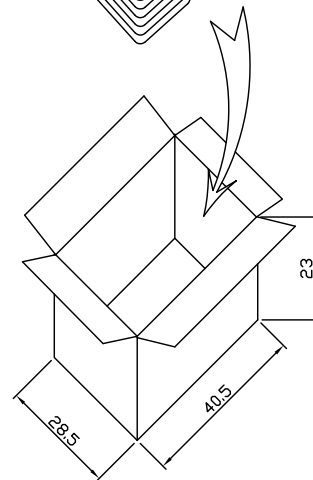
一.塑膠盒  
=100pcs/盒



二.紙箱  
=4X12X100+200  
=5000 PCS



一袋裝1000螺母



一箱裝5袋  
即5000螺母

淨重:12 Kg  
毛重:13Kg

單位: cm

**MORETHANALL**  
CONNECTORS  
ASSEMBLIES

煜倫股份有限公司

PART NO. PJ-R35T3N-03		CHECKED BY CY		TOLERANCES ARE .X ± .XX ± .XXX ± AWG	DESCRIP TION:			
DWG NO. PJ-R35T3N-03		DRAWING BY						
FILE NO.		PROJECTION		AREA	REVISIONS	HK	DATE	
UNIT / mm	SCALE 1:1							