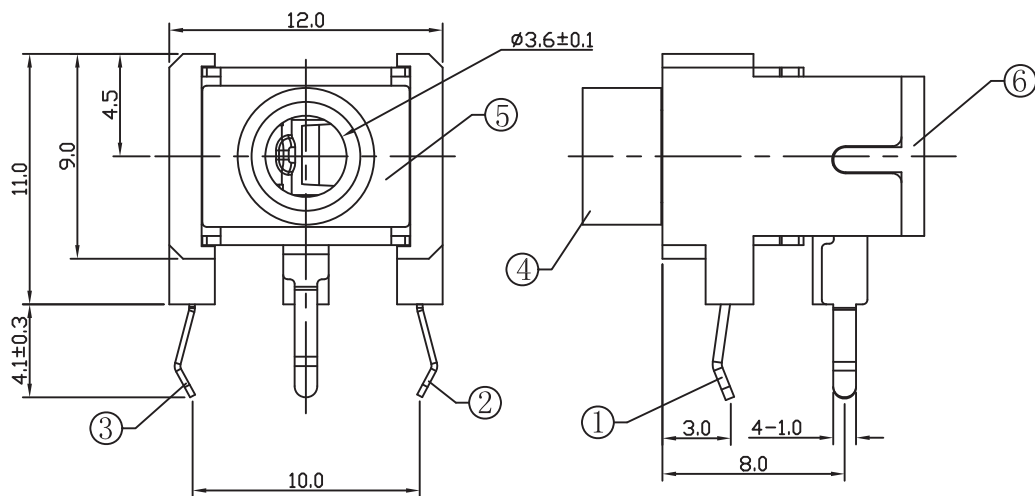
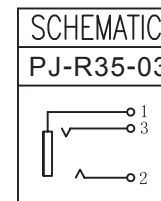


T:1.6 Dimensions of PC board holes
Tolerance : ± 0.1 (Printed-top view)



6	COVER	1	PBT 4815	UL-94V0
5	HOUSING	1	PBT 4815	UL-94V0
4	AXIS SUPPORT	1	H59(COPPER ALLOY)	Cu/Sn PLATED
3	3# CONTACT FOOT	1	C5191 t=0.30	Ag PLATED
2	2# CONTACT FOOT	1	C5191 t=0.30	Ag PLATED
1	1# CONTACT FOOT	1	C2680 t=0.40	Ag PLATED
LTR	PART NAME	QTY	MATERIAL	REMARK



UNLESS OTHERWISE SPECIFIED, TOLERANCE ON DECIMAL: ± 0.3

PJ-R35-03-LF
LEADFREE
RoHS Compliant

MORE THAN ALL
CONNECTORS
ASSEMBLIES

PART NO. PJ-R35-03

DWG NO. PJ-R35-03

FILE NO.

CHECKED BY CY

DRAWING BY

TOLERANCES ARE

X. \pm
.X \pm
.XX \pm
.XXX \pm
ANG

DESCRIPTION:

焯倫股份有限公司

UNIT / mm

SCALE 1:1

PROJECTION



AREA

REVISIONS

DATE