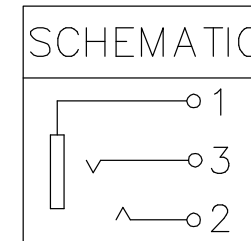
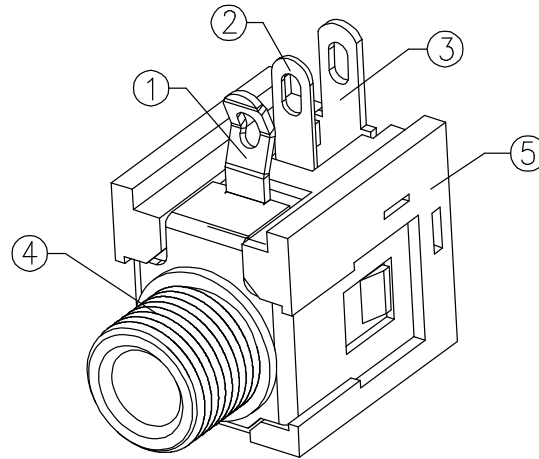
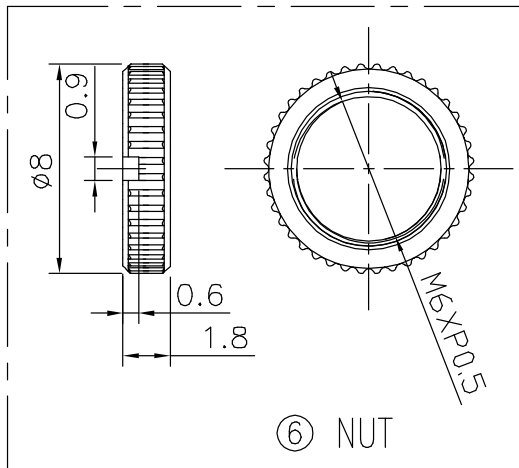


T:1.6 Dimensions of PC board holes

Tolerance : ± 0.05 (Printed-Top view)



6	NUT	1	COPPER ALLOY	Ni PLATED
5	HOUSING	1	PBT 4815	UL-94V0(BLACK)
4	BUSHING	1	COPPER ALLOY	Ni PLATED
3	RING SPRING	1	C5191 t=0.40	Sn PLATED
2	TIP SPRING	1	C5191 t=0.25	Sn PLATED
1	EARTH TERMINAL	1	SPCC t=0.40	Sn PLATED
LTR	PART NAME	QTY	MATERIAL	REMARK

UNLESS OTHERWISE SPECIFIED, TOLERANCE ON DECIMAL: ± 0.3

RoHS Compliant

TOLERANCES ARE

MORETHANALL
PCB CONNECTORS
Cable ASSEMBLIES

DRAWING BY CY

X. \pm

CHECKED BY GENIUS

.X \pm

UNIT / mm

SCALE 1 : 1

.XXX \pm

DATE

ANG \pm

SIZE A4

P PROJECTION

照片框

ORDER INFORMATION

PJ-R33T5N-03-LF
SERIES | NUT | LEADFREE
| | 03 WAY
| | NUT
| | THREAD 5.0mm
| | 3.5+3.5mm
| | DIP 90°

煜倫股份有限公司

www.morethanall.com

DESCRIPTION: MINIATURE JACK