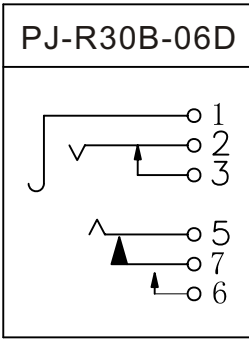
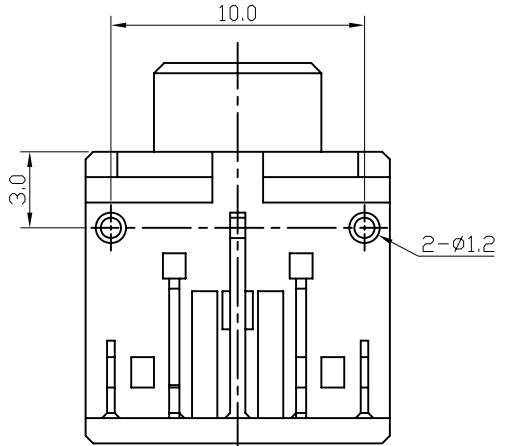


T:1.6 Dimensions of PC board holes  
Tolerance : ±0.1(Printed-top view)



PJ-R30B-06D-LF  
LEADFREE  
RoHS Compliant

UNLESS OTHERWISE SPECIFIED, TOLERANCE ON DECIMAL: ±0.3

8	COVER	1	PBT 4815	UL-94V0
7	HOUSING	1	PBT 4815	UL-94V0
6	SPRING PIECE	1	C5191	MB:Cu Ag PLATED
5	CONTACT FOOT	1	C5191	MB:Cu Ag PLATED
4	SPRING PIECE	1	C5191	MB:Cu Ag PLATED
3	FLAT PIECE	1	C2680	MB:Cu Ag PLATED
2	SPRING PIECE	1	C5191	MB:Cu Ag PLATED
1	CONTACT FOOT	1	C5191	MB:Cu Ag PLATED
LTR	PART NAME	QTY	MATERIAL	REMARK

**MORETHANALL**  
CONNECTORS  
ASSEMBLIES  
**煜倫股份有限公司**

PART NO. PJ-R30B-06D  
DWG NO. PJ-R30B-06D  
FILE NO.  
UNIT / mm SCALE 1:1

CHECKED BY CY  
DRAWING BY  
PROJECTION

TOLERANCES ARE  
.X ± 0.2  
.XX ± 0.1  
.XXX ±  
AWG

DESCRIP TION: MINIATURE JACK  
AREA REVISIONS HK DATE