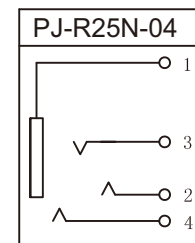
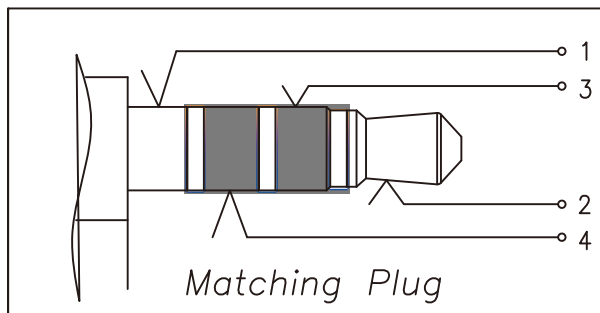
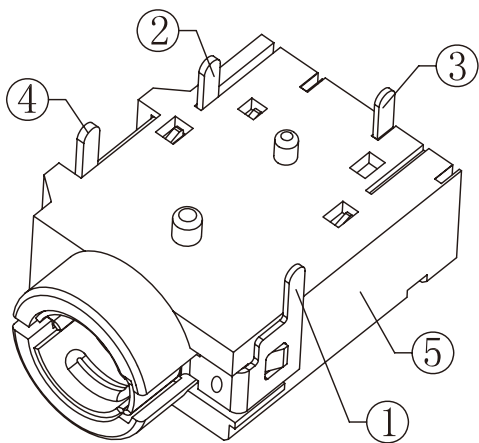


T:1.6 Dimensions of PC board holes
Tolerance : ± 0.05 (Printed-top view)



UNLESS OTHERWISE SPECIFIED, TOLERANCE ON DECIMAL: ± 0.3

5	HOUSING	1	PA66	BLACK
4	RING SPRING 4#	1	C5191 t=0.30	Ag PLATED
3	RING SPRING 3#	1	C5191 t=0.20	Ag PLATED
2	TIP SPRING 2#	1	C5191 t=0.25	Ag PLATED
1	EARTH SPRING 1#	1	C5191 t=0.20	Au PLATED
LTR	PART NAME	QTY	MATERIAL	REMARK

RoHS Compliant

TOLERANCES ARE

MORETHANALL
PCB CONNECTORS
Cable ASSEMBLIES

DRAWING BY CY

CHECKED BY GENIUS

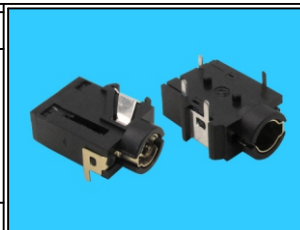
UNIT / mm SCALE 1 : 1

DATE

SIZE A4

X, \pm
.X \pm
.XX \pm
.XXX \pm
ANG \pm

P PROJECTION



ORDER INFORMATION

PJ-R25N-04-LF
SERIES | LEADFREE
4 WAY
INNER SIDE METAL BUSHING
FOOTPRINT 2.5mm
DIP 90°

煜倫股份有限公司

www.morethanall.com

DESCRIPTION: