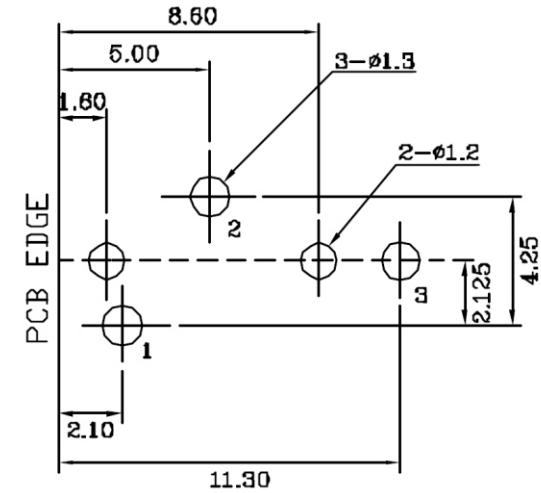
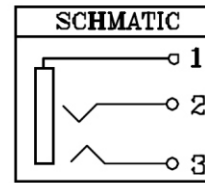
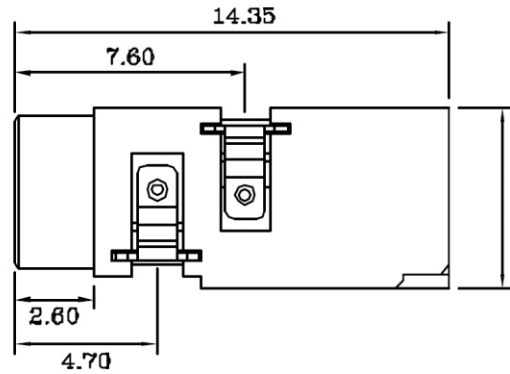


SECTION A-A

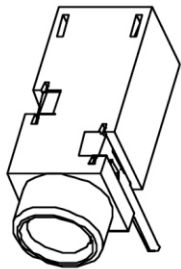
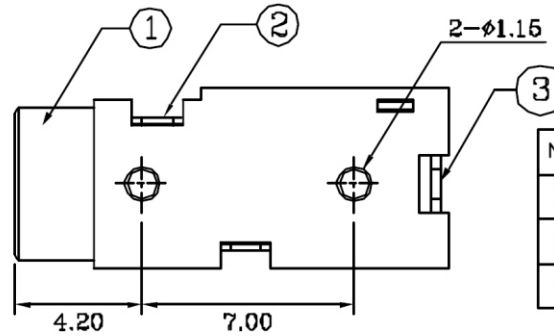
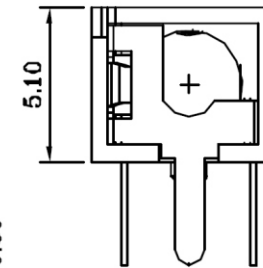
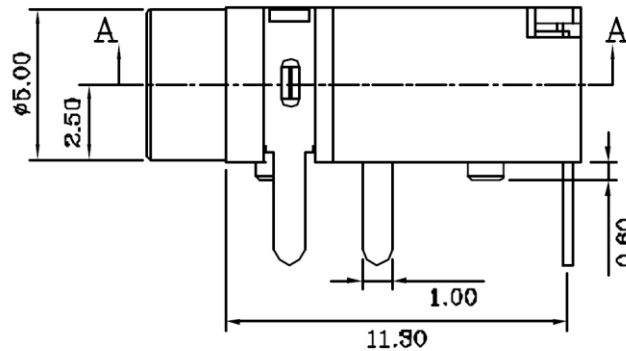
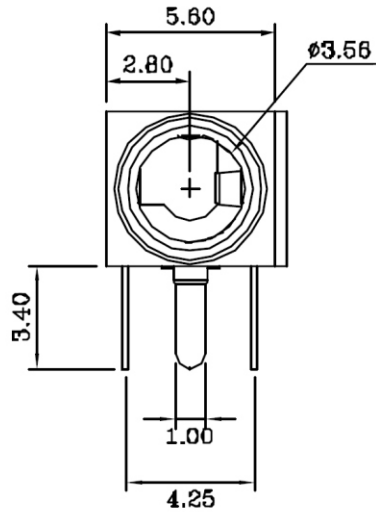


RECOMMENDED
COMPONENT SIDE
(PCB LAYOUT)

PJ-R17-03-LF

LEADFREE

RoHS Compliant



NO.	NAME	MATERIAL	FINISH	REMARK	Q'TY
1	HOUSING	PBT	BLACK		1
2	TERMINAL	PBS T:0.25	TIN PLATED	Sn: 120~200 μ "	2
3	TERMINAL	PHOS.BRONZE T:0.30	TIN PLATED	Sn: 120~200 μ "	1

MORETHANALL
CONNECTORS
ASSEMBLIES

PART NO. **PJ-R17-03**

DWG NO. **PJ-R17-03**

FILE NO.

UNIT / mm

SCALE 1:1

CHECKED BY CY

DRAWING BY

PROJECTION

TOLERANCES ARE

.X \pm 0.2

.XX \pm

.XXX \pm

AWG

DESCRIPTION:

AREA

REVISIONS

HK

DATE

煜倫股份有限公司