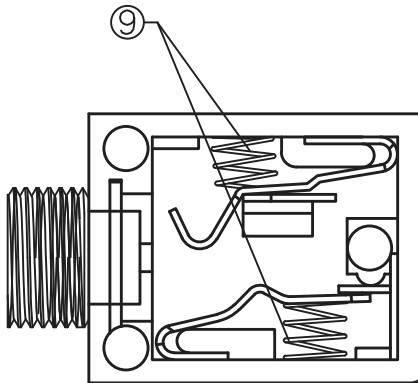


T:1.6 Dimensions of PC board holes
Tolerance : ±0.05(Printed-top view)



SCHEMATIC				
PJ-R14T-05C	PJ-R14T-04R	PJ-R14T-04L	PJ-R14T-03	PJ-R14T-03B

UNLESS OTHERWISE SPECIFIED, TOLERANCE ON DECIMAL: ±0.3

9	SPRING	2	SWC	
8	HOUSING	1	PBT 4815	UL-94V0
7	COVER	1	PC	
6	AXIS SUPPORT	1	H59(COPPER ALLOY)	Ni PLATED
5	SHUNT TERMINAL	1	C2680 t=0.30	Ag PLATED
4	SHUNT TERMINAL	1	C2680 t=0.30	Ag PLATED
3	RING SPRING	1	C5191 t=0.30	Ag PLATED
2	TIP SPRING	1	C2680 t=0.30	Ag PLATED
1	EARTH TERMINAL	1	C2680 t=0.45	Ag PLATED
LTR	PART NAME	QTY	MATERIAL	REMARK

RoHS Compliant

TOLERANCES ARE

MORETHANALL
PCB CONNECTORS
Cable ASSEMBLIES

煜倫股份有限公司

www.morethanall.com

DRAWING BY CY

CHECKED BY GENIUS

UNIT / mm SCALE 1 : 1

DATE

SIZE A4

X. ±
.X ±
.XX ±
.XXX ±
ANG ±

P PROJECTION

照片框

ORDER INFORMATION

PJ-R14T-xx-LF
SERIES | | | LEADFREE
SCHEMATIC
THREADED
FOOT 1.7+4.4mm
DIP 90°

DESCRIPTION: MINIATURE JACK