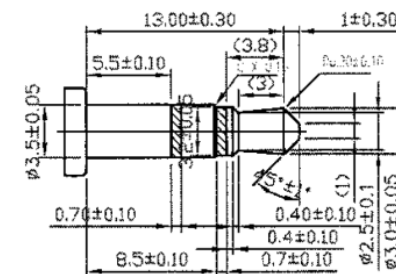
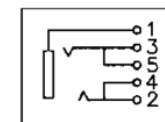
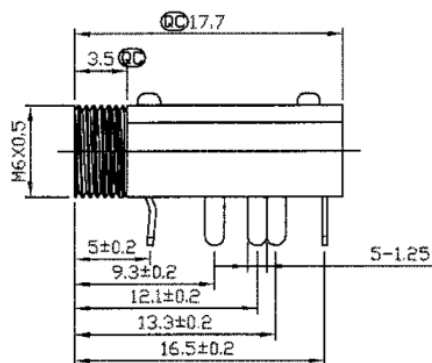
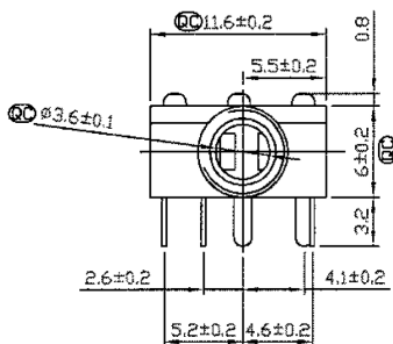


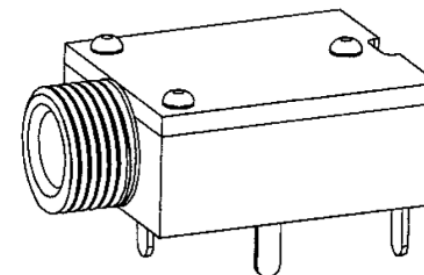
PCB LAYOUT TOP VIEW



PLUG SPEC



8	COVER	1	PC(Lucency)	
7	HOUSING	1	PBT (Black)	
6	FIX TURN	1	BRASS	CuSn-Plated
5	TERMINAL	1	BRASS t=0.30	Ag-Plated
4	TERMINAL	1	BRASS t=0.30	Ag-Plated
3	TERMINAL	1	PHOSPHOR BRONZE t=0.30	Ag-Plated
2	TERMINAL	1	PHOSPHOR BRONZE t=0.30	Ag-Plated
1	TERMINAL	1	BRASS t=0.45	Ag-Plated
NO.	DESCRIPTION	QTY	MATERIAL	REMARK



RoHS Compliant

TOLERANCES ARE

MORETHANALL
PCB CONNECTORS
Cable ASSEMBLIES

DRAWING BY CY

X, ±

CHECKED BY GENIUS

.X, ±

UNIT / mm

SCALE 1 : 1

.XXX, ±

DATE

ANG, ±

SIZE A4

PJECTION

照片框

ORDER INFORMATION

PJ-R14T-05C-LF
SERIES | LEADFREE
5P3C
THREAD
FOOT 1.5+4.3mm
DIP 90°

煜倫股份有限公司

www.morethanall.com

DESCRIPTION: MINIATURE JACK