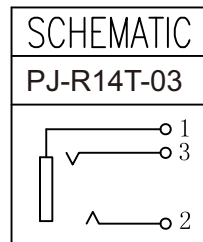
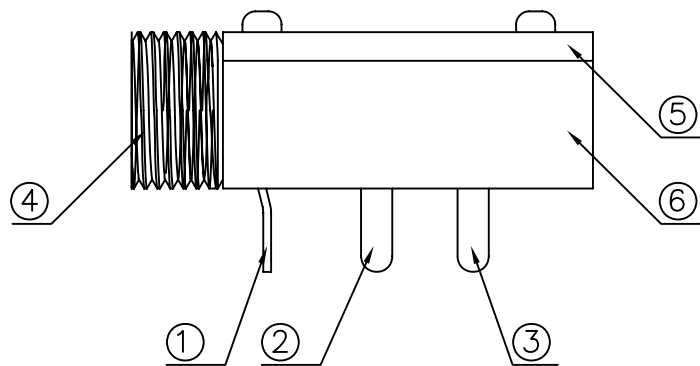


T:1.6 Dimensions of PC board holes
Tolerance : ±0.05(Printed-top view)



6	HOUSING	1	PBT 4815	UL-94V0
5	COVER	1	PC	
4	AXIS SUPPORT	1	H59(COPPE R ALLOY)	Ni PLATED
3	RING SPRING	1	C5191 t=0.30	Ag PLATED
2	TIP SPRING	1	C2680 t=0.30	Ag PLATED
1	EARTH TERMINAL	1	C2680 t=0.45	Ag PLATED
LTR	PART NAME	QTY	MATERIAL	REMARK

UNLESS OTHERWISE SPECIFIED, TOLERANCE ON DECIMAL: ±0.3

RoHS Compliant

TOLERANCES ARE

MORETHANALL
PCB CONNECTORS
Cable ASSEMBLIES

DRAWING BY CY

X.±

CHECKED BY GENIUS

.X±

UNIT / mm

SCALE 1 : 1

.XX±

DATE

.XXX±

ANG ±

SIZE A4

PJECTION

照片框

ORDER INFORMATION

PJ-R14T-03-LF
SERIES | | | LEADFREE
| | | 03 WAY
| | | THREAD
| | | FOOT 1.5+4.3mm
| | | DIP 90°

煜倫股份有限公司

www.morethanall.com

DESCRIPTION: MINIATURE JACK