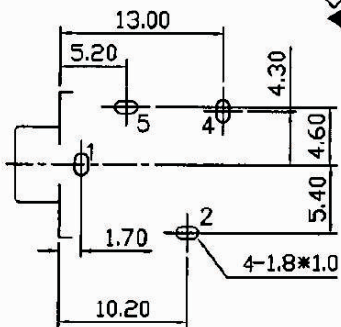
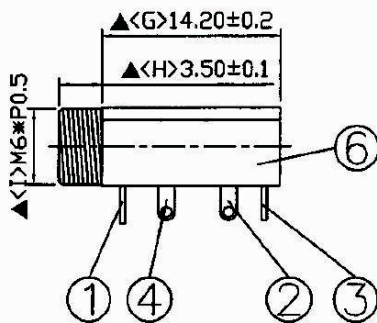
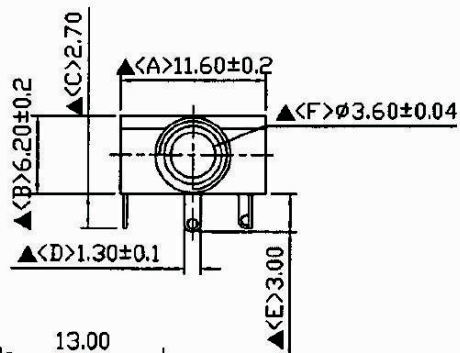
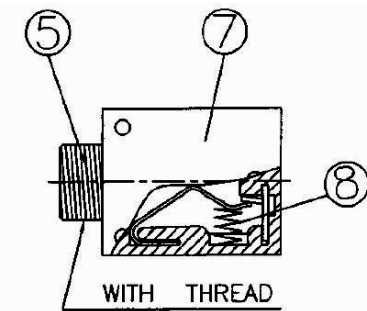
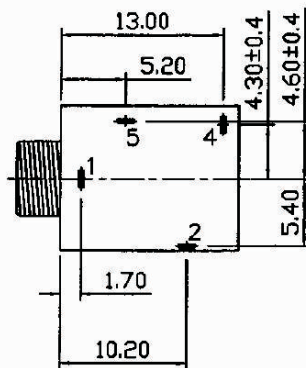


NUT



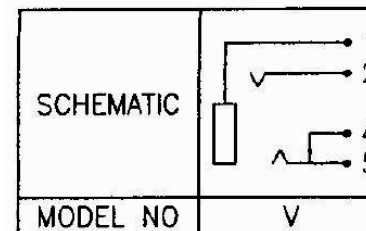
Pin Hole Layout
(Jack Bottom View)



9	NUT	1.50T Brass	1	Nickel plated
8	Spring	SUS-304	1	
7	Cover	PC	1	Trans Parent
6	Housing	POM	1	Black Color
5	Barrel(W/Thread)	Brass	1	Nickel plated
4	Tip Spring	0.25T Phosphor Bronze	1	Silver Plated
3	Break Terminal	0.4T Brass	1	Silver Plated
2	Ring Spring	0.25T Phosphor Bronze	1	Silver Plated
1	Earth Terminal	0.4T Brass	1	Silver Plated
NO	Descricion	Material	Q'TY	Finish

SPECIFICATIONS:

Contact Resistance : 30mΩ max
 Insulation Resistance : 100MΩ min. at DC 500V
 Dielectric Withstand Voltage : AC 500V for one minute
 Remark: ▲: The Most Important Dimension



PJ-R13PBN-04C-LF
 LEADFREE
 RoHS Compliant

MORETHANALL
 CONNECTORS
 ASSEMBLIES

PART NO. PJ-R13PBN-04C

DWG NO. PJ-R13PBN-04C

FILE NO.

CHECKED BY CY

DRAWING BY

TOLERANCES ARE

.X ± 0.2
 .XX ±
 .XXX ±
 AWG

DESCRIP TION:

焯倫股份有限公司

UNIT / mm

SCALE 1:1

PROJECTION



AREA

REVISIONS

HK

DATE