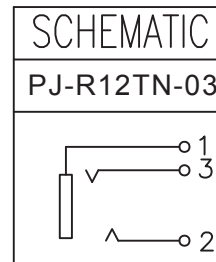


T:1.6 Dimensions of PC board holes
Tolerance : ±0.1(Printed-top view)



8	SPRING	1	SWC WIRE	
7	SPRING	1	SWC WIRE	
6	HOUSING	1	PBT 4815	UL-94V0(BLACK)
5	COVER	1	PBT 4815	UL-94V0(BLACK)
4	AXIS SUPPORT	1	H59(COPPER ALLOY)	MB:Cu Ni PLATED
3	SPRING PIECE	1	C5191 t=0.30	MB:Ni Ag PLATED
2	SPRING PIECE	1	C5191 t=0.30	MB:Ni Ag PLATED
1	FLAT PIECE	1	C2680 t=0.30	MB:Ni Ag PLATED
LTR	PART NAME	QTY	MATERIAL	REMARK

UNLESS OTHERWISE SPECIFIED, TOLERANCE ON DECIMAL: ±0.3

MORETHANALL
PCB CONNECTORS
Cable ASSEMBLIES
煜倫股份有限公司

www.morethanall.com

RoHS Compliant

DRAWING BY CY

CHECKED BY GENIUS

UNIT/mm

SCALE 1:1

DATE

SIZE A4

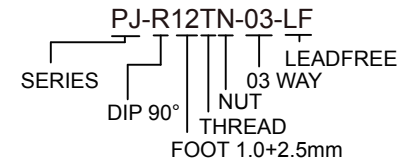
PJECTION

TOLERANCES ARE

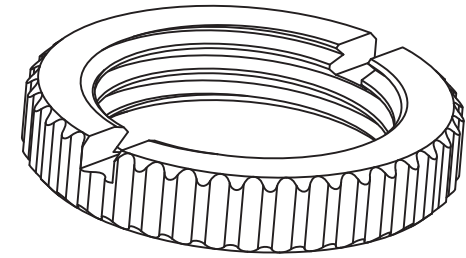
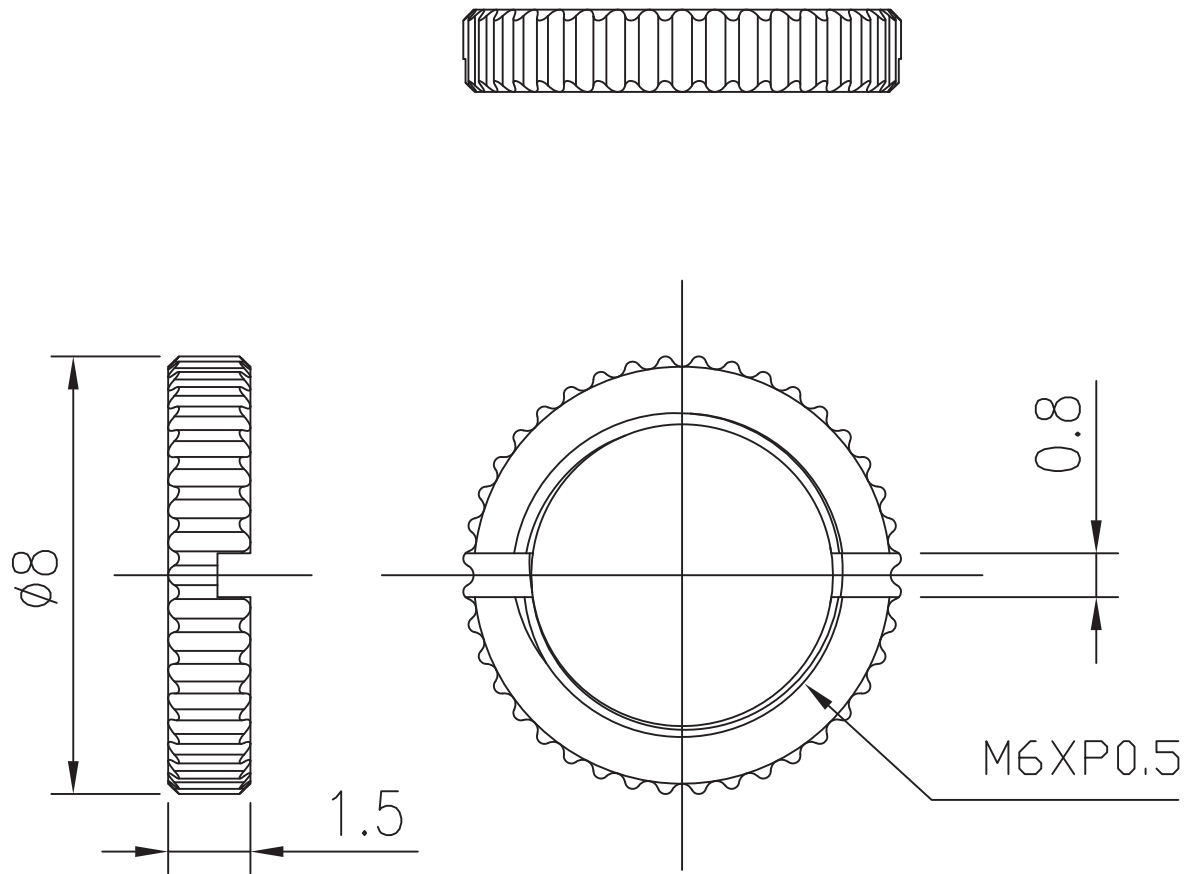
X.±
.X±
.XX±
.XXX±
ANG±

照片框

ORDER INFORMATION



DESCRIPTION: MINIATURE JACK



UNLESS OTHERWISE SPECIFIED, TOLERANCE ON DECIMAL: ± 0.3

MORETHANALL
PCB CONNECTORS
Cable ASSEMBLIES

煜倫股份有限公司

www.morethanall.com

RoHS Compliant

DRAWING BY CY

CHECKED BY GENIUS

UNIT/mm SCALE 1:1

DATE

SIZE A4

TOLERANCES ARE

X. \pm
.X \pm
.XX \pm
.XXX \pm
ANG \pm

P PROJECTION

照片框

ORDER INFORMATION

PJ-R12TN-03-LF
SERIES DIP 90° NUT THREAD FOOT 1.0+2.5mm
LEADFREE
03 WAY

DESCRIPTION: MINIATURE JACK