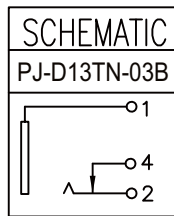
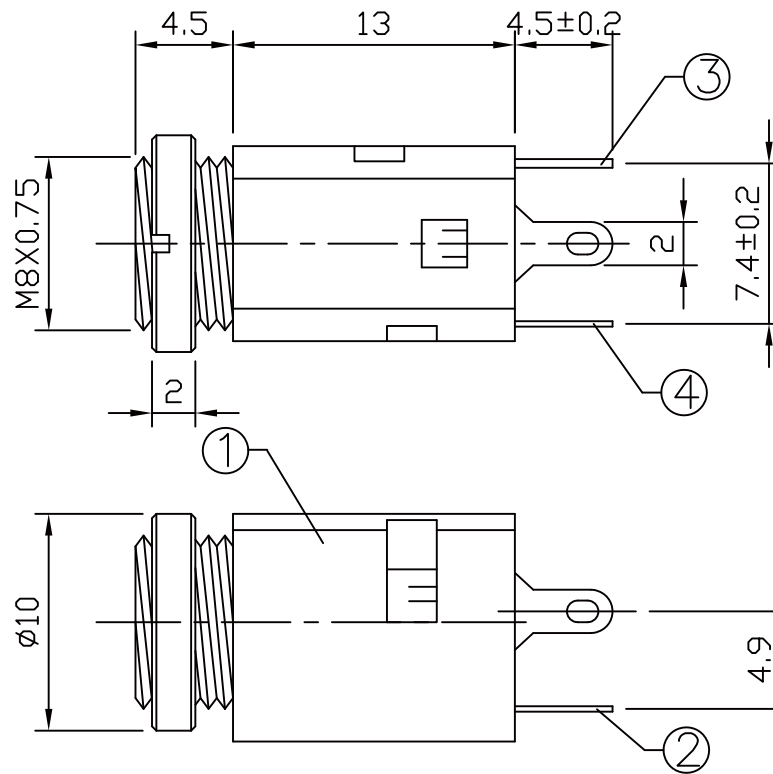


T:1.6 Dimensions of PC board holes
Tolerance : ±0.1(Printed-top view)



UNLESS OTHERWISE SPECIFIED, TOLERANCE ON DECIMAL: ±0.3



5	CAP	1	C2680	MB:Cu Ni PLATED
4	CONTACT FOOT	1	C5191	MB:Cu Ag PLATED
3	CURVE PIECE	1	C2680	MB:Cu Ag PLATED
2	SPRING PIECE	1	C5191	MB:Cu Ag PLATED
1	HOUSING	1	PBT 4815	UL-94V0(BLACK)
LTR	PART NAME	QTY	MATERIAL	REMARK

RoHS Compliant

TOLERANCES ARE

MORETHANALL
PCB CONNECTORS
Cable ASSEMBLIES

煜倫股份有限公司

www.morethanall.com

DRAWING BY CY

CHECKED BY GENIUS

UNIT / mm SCALE 1 : 1

DATE

SIZE A4

X. ±

.X ±

.XX ±

.XXX ±

ANG ±

P PROJECTION

照片框

ORDER INFORMATION

PJ-D13TN-03B-LF
SERIES NUT THREAD HIGH 13mm
LEADFREE 3P2C
DIP 180°

DESCRIPTION: MINIATURE JACK