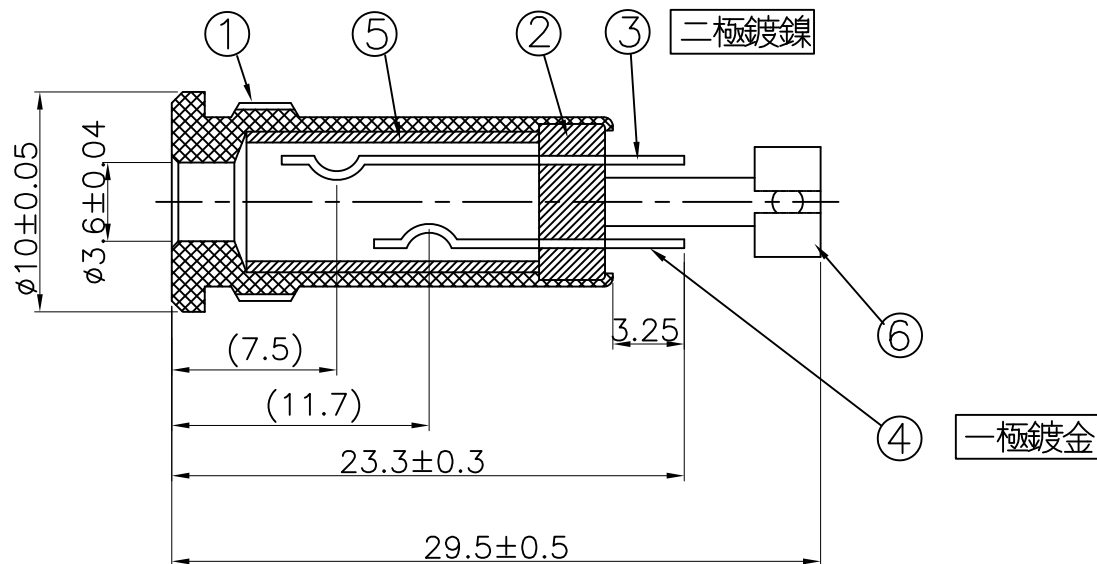
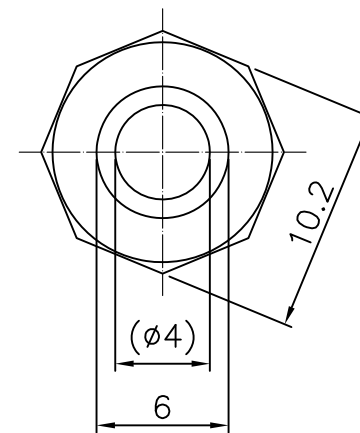
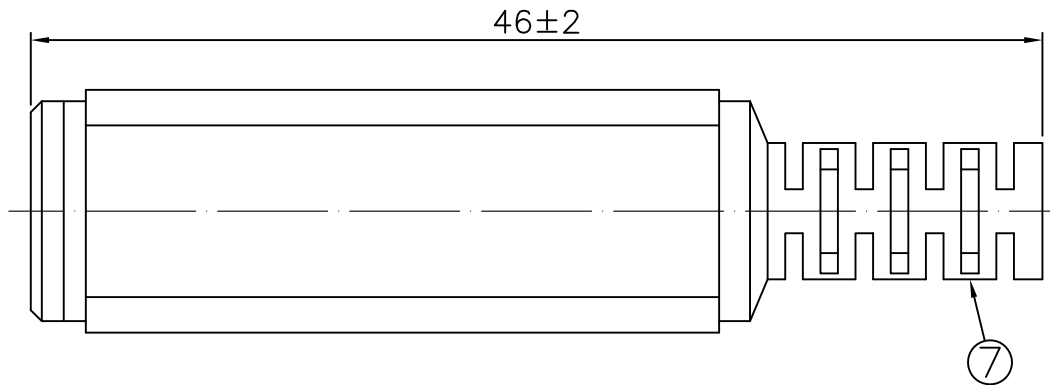


一般公差	
尺寸區分	公差
0>1.0	±0.1
1.0>6.0	±0.2
6.0>12.0	±0.3
12.0>25.0	±0.4
25.0>	±0.5



7	TPR BLACK
6	BRASS NICKEL
5	POM WHITE
4	P-BRONZE GOLD
3	P-BRONZE NICKEL
2	A.B.S WHITE
1	BRASS NICKEL
NO	CONTENT

RoHS Compliant

TOLERANCES ARE

MORETHANALL
PCB CONNECTORS
Cable ASSEMBLIES

DRAWING BY CY

CHECKED BY GENIUS

UNIT / mm

SCALE 1:1

DATE

SIZE A4

X.±
.X±
.XX±
.XXX±
ANG ±

PJECTION

照片框

ORDER INFORMATION

PJ-A-03-LF
SERIES | T LEADFREE
03WAY
ASSEMBLY

煜倫股份有限公司

www.morethanall.com

DESCRIPTION: 3.5mm STEREO JACK (ASSEMBLY TYPE)