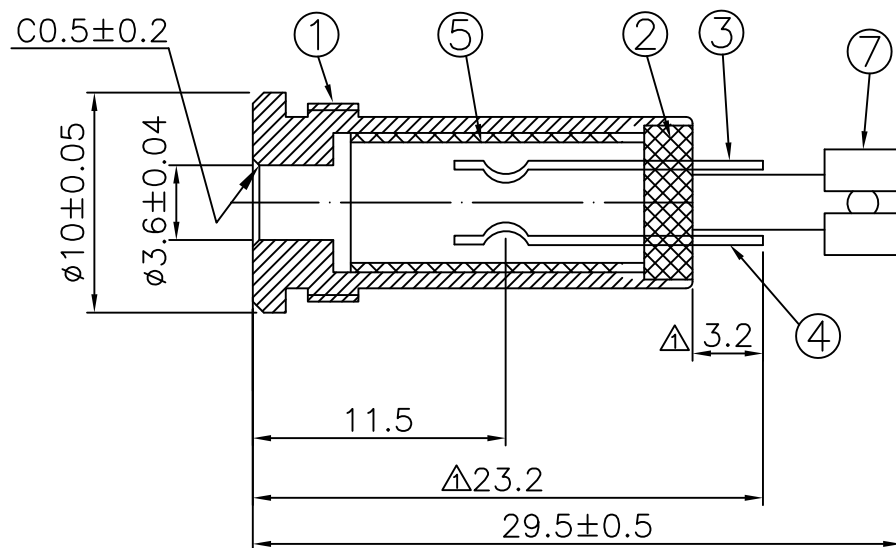
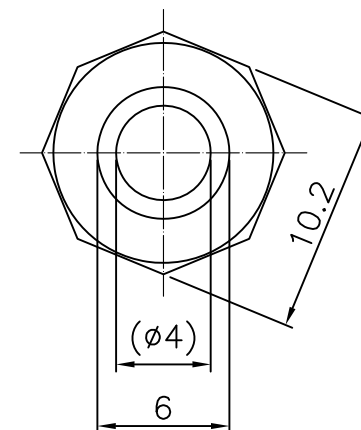
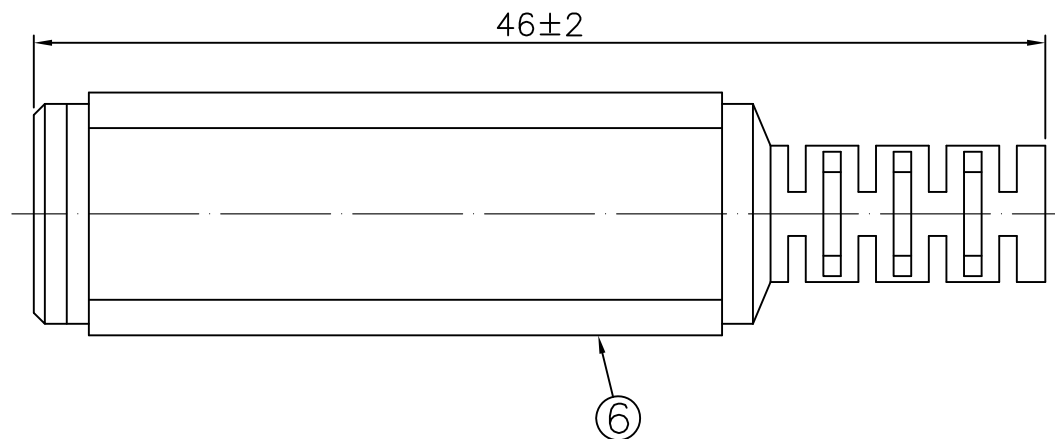


一般公差	
尺寸區分	公差
0>1.0	±0.1
1.0>6.0	±0.2
6.0>12.0	±0.3
12.0>25.0	±0.4
25.0>	±0.5



7	BRASS NICKEL
6	TPR BLACK
5	PLASTIC TUBE
4	P-BRONZE GOLD
3	P-BRONZE GOLD
2	A.B.S WHITE
1	BRASS NICKEL
NO	CONTENT

RoHS Compliant

TOLERANCES ARE

MORETHANALL
PCB CONNECTORS
Cable ASSEMBLIES

DRAWING BY CY

X, ±

CHECKED BY GENIUS

.X ±

UNIT / mm

SCALE 1:1

.XX ±

DATE

.XXX ±

ANG ±

SIZE A4

PPOJECTION



ORDER INFORMATION

PJ-A-02-LF
SERIES | LEADFREE
| 02WAY
ASSEMBLY

煜倫股份有限公司

www.morethanall.com

DESCRIPTION: 3.5mm MONO JACK (ASSEMBLY TYPE)