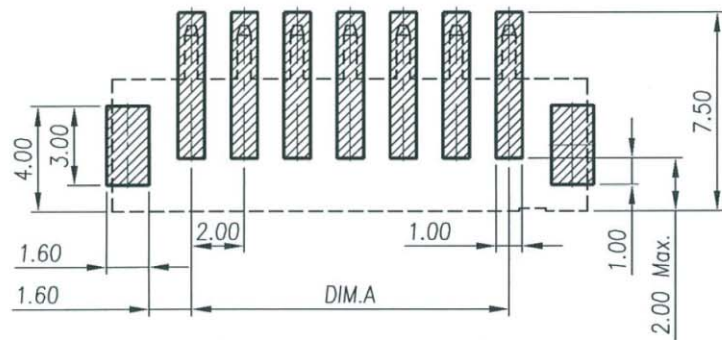
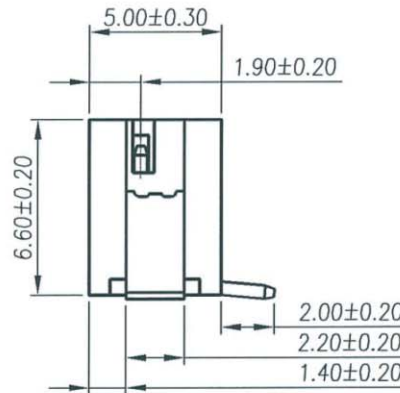


PIN	DIM.L
02	4.50
03~16	6.50



RECOMMENDED P.C.B LAYOUT

Specification

- 1.Current Rating:2A
- 2.Voltage Rating:100V AC/DC
- 3.Contact Resistance:20mΩ Max.
- 4.Insulation Resistance:1000MΩ Min.
- 5.Dielectric Withstanding Voltage:AC800V/Minute
- 6.Operating Temperature:-25℃~+85℃

Material:

- 1.Housing:High Temperature Thermoplastic UL94V-0
- 2.Tab:Copper Alloy
- 3.Contact Pin:Copper Alloy SQ. Pin 0.50mm
- 4.Cap:High Temperature Thermoplastic UL94V-0 None H.F

PIN	DIM.A	DIM.B	DIM.C	PIN	DIM.A	DIM.B	DIM.C
02	2.00	4.80	8.00	10	18.00	20.80	24.00
03	4.00	6.80	10.00	11	20.00	22.80	26.00
04	6.00	8.80	12.00	12	22.00	24.80	28.00
05	8.00	10.80	14.00	13	24.00	26.80	30.00
06	10.00	12.80	16.00	14	26.00	28.80	32.00
07	12.00	14.80	18.00	15	28.00	30.80	34.00
08	14.00	16.80	20.00	16	30.00	32.80	36.00
09	16.00	18.80	22.00				

RoHS Compliant

TOLERANCES ARE

MORETHANALL
PCB CONNECTORS
Cable ASSEMBLIES

煜倫股份有限公司

www.morethanall.com

DRAWING BY CY

CHECKED BY GENIUS

UNIT / mm SCALE 1 : 1

DATE

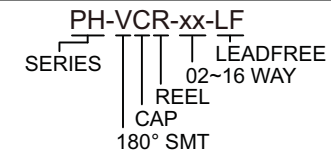
SIZE A4

X ±
.X ± 0.35
.XX ± 0.25
.XXX ±
ANG ±

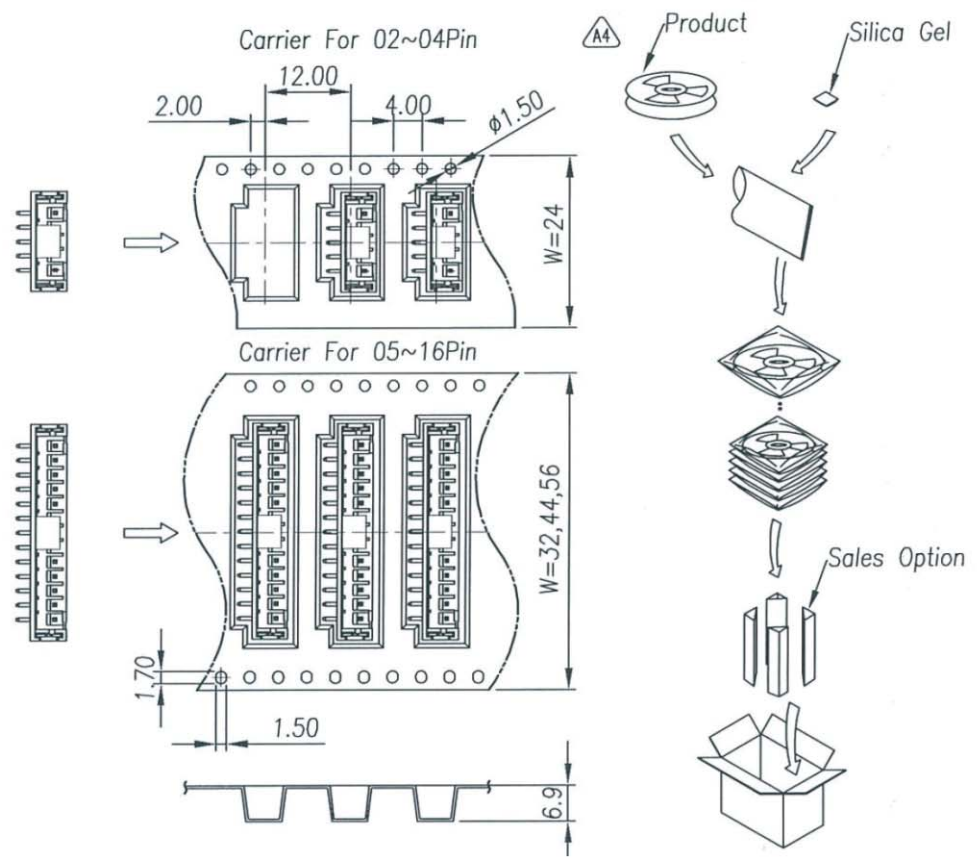
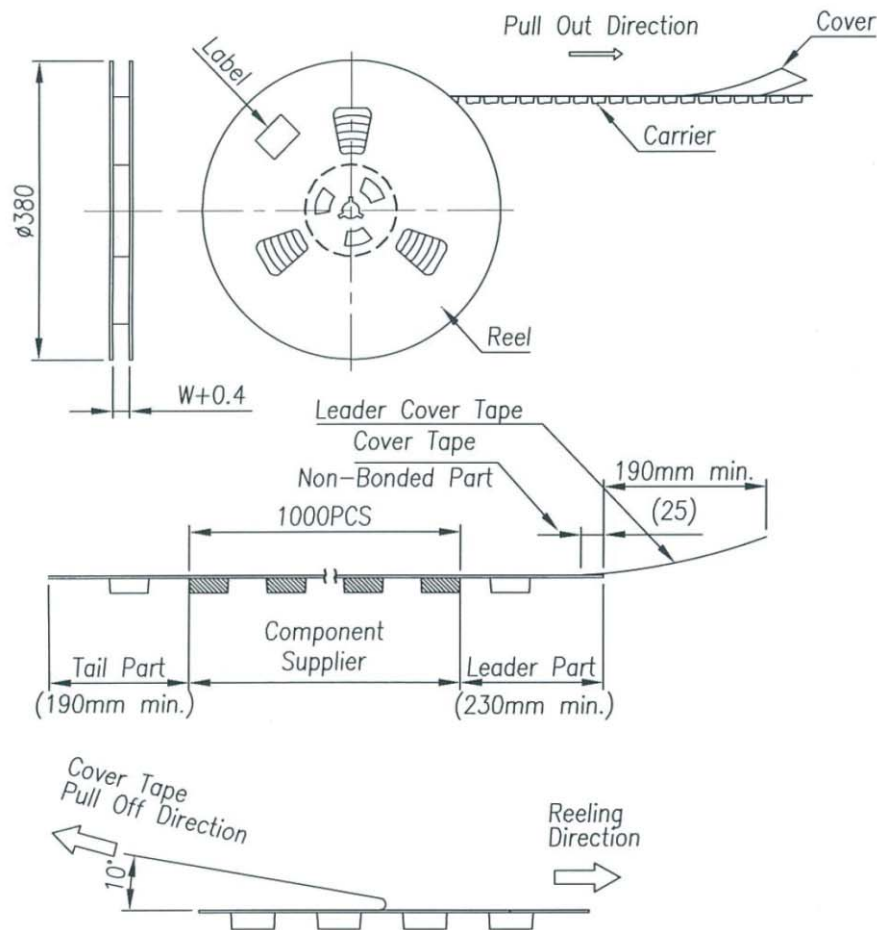
P PROJECTION

照片框

ORDER INFORMATION



DESCRIPTION: 2.0mm Wire-to-Board Header SMD 180° SM3 Type



PIN NO.	W ±0.30	PCS / REEL
02 ~ 04	24	1000
05 ~ 07	32	
08 ~ 14	44	
15 ~ 16	56	

Notes:
1. Material : PS

RoHS Compliant

TOLERANCES ARE

MORETHANALL
PCB CONNECTORS
Cable ASSEMBLIES

DRAWING BY CY

X, ±

CHECKED BY GENIUS

.X ± 0.35

UNIT / mm

SCALE 1 : 1

.XX ± 0.25

DATE

.XXX ±

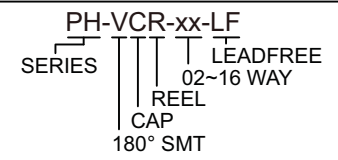
ANG ±

SIZE A4

P PROJECTION

照片框

ORDER INFORMATION



DESCRIPTION: 2.0mm Wire-to-Board Header SMD 180° SM3 Type

煜倫股份有限公司

www.morethanall.com