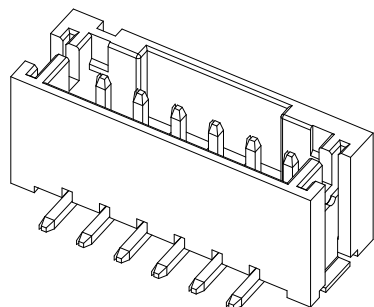


P.C.B LAYOUT MOUNTING PATTERN



SPECIFICATIONS

Current rating : 2.0A AC , DC

Voltage rating : 250V AC , DC

Temperature rating : -25°C ~ +85°C

Insulation resistance : 100MΩ min.

Withstand voltage : 200V AC/minute

Contact resistance : 20mΩ/Max

Material:

Housing : LCP, UL94V-0

Contact : Phosphor Bronze,Tin over Nickel

Circuits	Dimensions(mm)		
	A	B	C
02	2.00	4.80	8.00
03	4.00	6.80	10.00
04	6.00	8.80	12.00
05	8.00	10.80	14.00
06	10.00	12.80	16.00
07	12.00	14.80	18.00
08	14.00	16.80	20.00
09	16.00	18.80	22.00
10	18.00	20.80	24.00
11	20.00	22.80	26.00
12	22.00	24.80	28.00
13	24.00	26.80	30.00
14	26.00	28.80	32.00
15	28.00	30.80	34.00
16	30.00	32.80	36.00

RoHS Compliant

TOLERANCES ARE

MORETHANALL
PCB CONNECTORS
Cable ASSEMBLIES

DRAWING BY CY

CHECKED BY GENIUS

UNIT / mm

SCALE 1 : 1

DATE

SIZE A4

P PROJECTION

Up to 5 ±0.2
Above 5 ~ 15 ±0.3
Above 15 ~ 30 ±0.4
Above 30 ~ 50 ±0.5
Angle ±0.3°

照片框

ORDER INFORMATION

PH-V-xx-LF
SERIES | LEADFREE
02~16 WAY
180°SMT

煜倫股份有限公司

www.morethanall.com

DESCRIPTION: 2.0mm SMT 180度