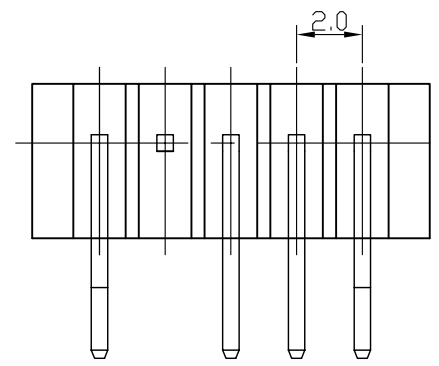
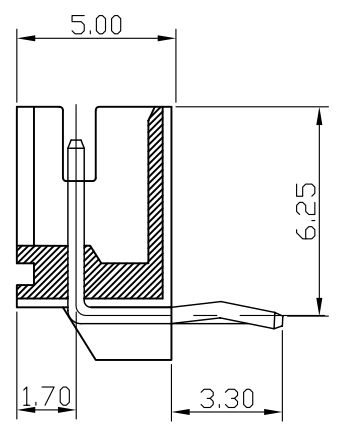
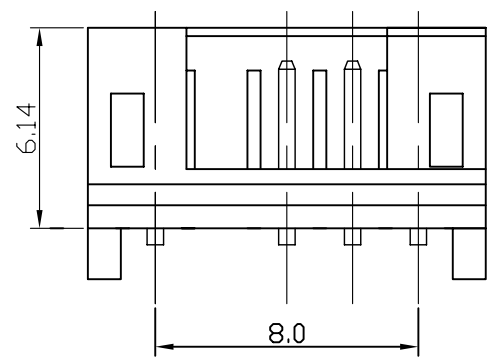


RECOMMENDED P.C.BOARD HOLE DIMM.



### Specifications

#### Electrical

- Voltage Rating: 100V(AC)
- Current Rating: 2A
- Contact Resistance: 20mΩ max.
- Dielectric Withstandeing Voltage: 800V AC/1min.
- Insulation Resistance: 1000MΩ min.

#### Material

- Circuits: 2~20
- Insulator: Nylon 66 UL 94V-0
- Color: White or Natural
- Contact: Brass 0.50mm(0.20") Square Wire Pins
- Plating: Tin or Gold Plated
- Temperature Range: -25° C~+85° C
- Applicable PC Board Thickness: 0.8 to 1.6mm

**RoHS Compliant**

TOLERANCES ARE



DRAWING BY CY

CHECKED BY GENIUS

UNIT / mm

SCALE 1 : 1

DATE

SIZE A4

- X. ±
- .X ± 0.50
- .XX ± 0.20
- .XXX ± 0.10
- ANG ±

PPOJECTION

**煜倫股份有限公司**

[www.morethanall.com](http://www.morethanall.com)

照片框

#### ORDER INFORMATION

PH-R-05E4-LF  
 SERIES | LEADFREE  
 05WAY/ EMPTY #4  
 DIP 90°

DESCRIPTION: 2.0mm Wire-to-Board Header DIP 90° Type