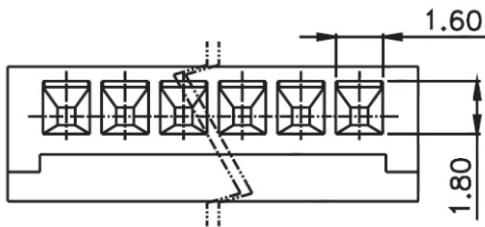
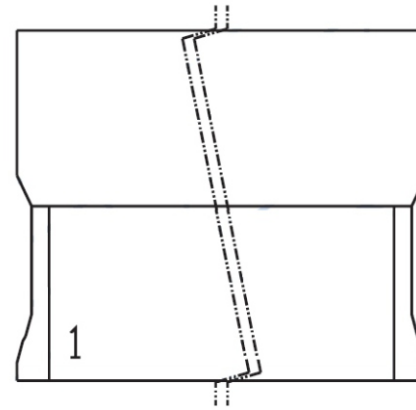
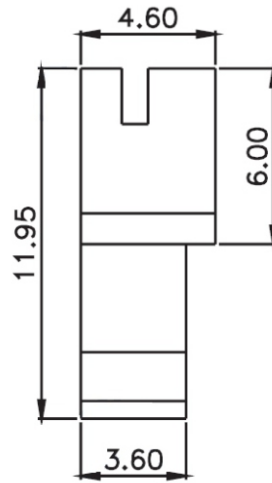
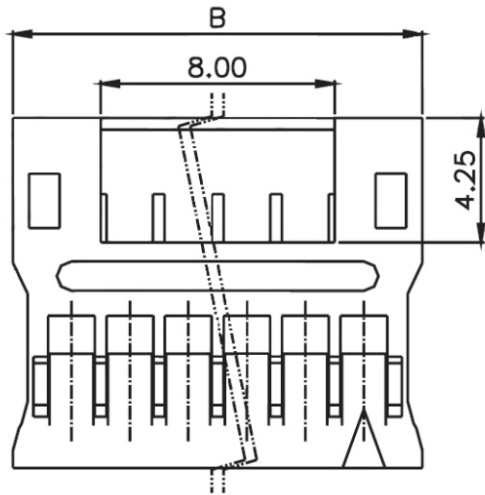


Dimensionl inforamtion-mm

Circuits	Dim. A	Dim. B	Dim. C	Circuits	Dim. A	Dim. B	Dim. C
2	2.00	5.70	4.60	10	18.00	21.70	20.60
3	4.00	7.70	6.60	11	20.00	23.70	22.60
4	6.00	9.70	8.60	12	22.00	25.70	24.60
5	8.00	11.70	10.60	13	24.00	27.70	26.60
6	10.00	13.70	12.60	14	26.00	29.70	28.60
7	12.00	15.70	14.60	15	28.00	31.70	30.60
8	14.00	17.70	16.60	16	30.00	33.70	32.60
9	16.00	19.70	18.60				



RoHS Compliant

TOLERANCES ARE

MORETHANALL
PCB CONNECTORS
Cable ASSEMBLIES

DRAWING BY CY

CHECKED BY GENIUS

UNIT / mm

SCALE 1 : 1

DATE

SIZE A4

X. ±
.X ±
.XX ±
.XXX ±
ANG ±

P PROJECTION

照片框

ORDER INFORMATION

PH-P-xx-LF
SERIES | LEADFREE
02~16 WAY
MALE HOUSING

煜倫股份有限公司

www.morethanall.com

DESCRIPTION: