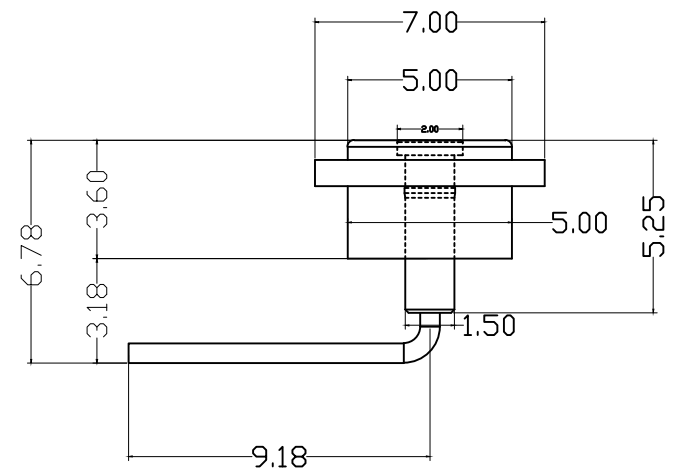


NOTE

1. Material
Plunger: Brass 3601
Barrel: Brass 3601
2. Plating
Plunger: 5 micro-inch minimum Au over 50 micro-inch nickel
3. Electrical
Rated current & voltage: DC 12V; 1A Max.
Contact resistance: 50 mohm maximum at normal working height(quiessence)
4. Mechanical
N52
5. To ensure the best usage, please operate it based on the working height
Based on the engineering drawings, shall not exceed the maximum allowed compression
6. To avoid arcing issue, The adaptor start to power supply
after connector mated fully.
7. RoHS and HF compliant product.
8. SALT SPRAY: 24H



RoHS Compliant

TOLERANCES ARE

MORETHANALL
PCB CONNECTORS
Cable ASSEMBLIES

煜倫股份有限公司

www.morethanall.com

DRAWING BY CY

CHECKED BY GENIUS

UNIT / mm

SCALE 1 : 1

DATE

SIZE A4

X, ±
.X ± 0.15
.XX ± 0.10
.XXX ± 0.05
ANG ±

PPOJECTION

照片框

ORDER INFORMATION

PGS26-R064MS1-1X04-LF

SERIES

LEADFREE

04WAY

MAGNETIC SUCTION

6.4mm FOOT/PRINT

DIP 90°

DESCRIPTION: 4PIN(2.54PH)2.0*5.25